

MDG-50

Installation Manual

WARNING: For your safety the information in this manual must be followed to minimize the risk of fire or explosion or to prevent property damage, personal injury or death.

— Do not store or use gasoline or other flammable vapor and liquids in the vicinity of this or any other appliance.

— **WHAT DO YOU DO IF YOU SMELL GAS**

- * Do not try to light any appliance.
- * Do not touch any electrical switch; do not use any phone in your building.
- * Clear the room, building or area of all occupants.
- * Immediately call your gas supplier from a neighbor's phone. Follow the gas supplier's instructions.
- * If you cannot reach your gas supplier, call the fire department.

— Installation and service must be performed by a qualified installer, service agency or the gas supplier.

AVERTISSEMENT: Assurez-vous de bien suivre les instructions données dans cette notice pour réduire au minimum le risque d'incendie ou d'explosion ou pour éviter tout dommage matériel, toute blessure ou la mort.

— Ne pas entreposer ni utiliser d'essence ni d'autres vapeurs ou liquides inflammables dans le voisinage de cet appareil ou de tout autre appareil.

— **QUE FAIRE SI VOUS SENTEZ UNE ODEUR DE GAZ:**

- * Ne pas tenter d'allumer d'appareil.
- * Ne touchez à aucun interrupteur. Ne pas vous servir des téléphones se trouvant dans le bâtiment où vous vous trouvez.
- * Évacuez la pièce, le bâtiment ou la zone.
- * Appelez immédiatement votre fournisseur de gaz depuis un voisin. Suivez les instructions du fournisseur.
- * Si vous ne pouvez rejoindre le fournisseur de gaz, appelez le service des incendies.

— L'installation et l'entretien doivent être assurés par un installateur ou un service d'entretien qualifié ou par le fournisseur de gaz.



For replacement parts, contact the distributor from which the dryer was purchased or contact:

Maytag Co.
403 West Fourth St North
Newton, Iowa 50208
(515) 787-7000

Retain This Manual In A Safe Place For Future Reference

Our products embody advanced concepts in engineering, design, and safety. If this product is properly maintained, it will provide many years of safe, efficient, and trouble-free operation.

ONLY qualified technicians should service this equipment.

OBSERVE ALL SAFETY PRECAUTIONS displayed on the equipment or specified in the installation and operator's manual included with the dryer.

The following “**FOR YOUR SAFETY**” caution **must be** posted near the dryer in a prominent location.

FOR YOUR SAFETY

Do not store or use gasoline or other flammable vapors or liquids in the vicinity of this or any other appliance.

POUR VOTRE SÉCURITÉ

Ne pas entreposer ni utiliser d'essence ni d'autres vapeurs ou liquides inflammables dans le voisinage de cet appareil ou de tout autre appareil.

We have tried to make this manual as complete as possible and hope you will find it useful. Manufacturer reserves the right to make changes from time to time, without notice or obligation, in prices, specifications, colors, and material, and to change or discontinue models.

Important

For your convenience, log the following information:

DATE OF PURCHASE _____ MODEL NO. **MDG-50**

DISTRIBUTORS NAME _____

Serial Number(s) _____

For replacement parts, contact the distributor from which the dryer was purchased or contact:

Maytag Co.
403 West Fourth St North
Newton, Iowa 50208
(515) 787-7000

“IMPORTANT NOTE TO PURCHASER”

Information **must be** obtained from your local gas supplier on the instructions to be followed if the user smells gas. These instructions **must be** posted in a prominent location near the dryer.

IMPORTANT

YOU MUST DISCONNECT and LOCKOUT THE ELECTRIC SUPPLY and THE GAS SUPPLY BEFORE ANY COVERS or GUARDS ARE REMOVED FROM THE MACHINE TO ALLOW ACCESS FOR CLEANING, ADJUSTING, INSTALLATION, or TESTING OF ANY EQUIPMENT per OSHA (Occupational Safety and Health Administration) STANDARDS.

“Caution: Label all wires prior to disconnection when servicing controls. Wiring errors can cause improper operation.”

«Attention: Lor des opérations d’entretien des commandes étiqueter tous fils avant de les déconnecter. Toute erreur de câblage peut être une source de danger et de panne.»

CAUTION

DRYERS SHOULD NEVER BE LEFT UNATTENDED WHILE IN OPERATION.

WARNING

**CHILDREN SHOULD NOT BE ALLOWED TO PLAY ON OR NEAR THE DRYERS.
CHILDREN SHOULD BE SUPERVISED IF NEAR DRYERS IN OPERATION.**

FOR YOUR SAFETY

**DO NOT DRY MOP HEADS IN THE DRYER.
DO NOT USE DRYER IN THE PRESENCE OF DRY CLEANING FUMES.**

WARNING

UNDER NO CIRCUMSTANCES should the door switch or the heat circuit devices ever be disabled.

WARNING

The dryer must never be operated with any of the back guards, outer tops, or service panels removed. **PERSONAL INJURY or FIRE COULD RESULT.**

WARNING

DRYER MUST NEVER BE OPERATED WITHOUT THE LINT FILTER and SCREEN IN PLACE, EVEN IF AN EXTERNAL LINT COLLECTION SYSTEM IS USED.

IMPORTANT

PLEASE OBSERVE ALL SAFETY PRECAUTIONS displayed on the equipment and specified in the installation and operator's manual included with the dryer.

Dryers **must not** be installed or stored in an area where it will be exposed to water or weather.

The wiring diagram for the dryer is located in the front electrical control box area.

Table of Contents

SECTION I	
IMPORTANT INFORMATION.....	3
A. Receiving and Handling	3
B. Safety Precautions	4
SECTION II	
SPECIFICATIONS	6
A. Specifications	6
SECTION III	
INSTALLATION PROCEDURES	8
A. Unpacking and Setting Up	8
B. Location Requirements	9
C. Dryer Enclosure Requirements	10
D. Fresh Air Supply	11
E. Exhaust Requirements	12
F. Electrical Information	18
G. Gas Information	23
H. Preparation For Operation and Start-Up	27
I. Preoperational Tests	28
J. Preoperational Instructions	29
K. Shut Down Instructions	32
SECTION IV	
SERVICE and PARTS INFORMATION	33
A. Service	33
B. Parts	33
SECTION V	
WARRANTY INFORMATION	34
A. Returning Warranty Cards	34

SECTION VI	
ROUTINE MAINTENANCE	35
A. Cleaning	35
B. Adjustments	36
C. Lubrication	36
SECTION VII	
TROUBLESHOOTING	37
Microprocessor (Computer) Models	37
Dual Timer Models	43
SECTION VIII	
TECHNICAL INFORMATION	46
A. Data Label	46
SECTION IX	
REVERSING TIMER SPIN/DWELL ADJUSTMENTS.....	48
SECTION X	
PROCEDURE FOR FUNCTIONAL CHECK OF REPLACEMENT	
COMPONENTS	49

SECTION I

IMPORTANT INFORMATION

A. RECEIVING and HANDLING

The dryer is shipped in a protective stretch wrap cover with protective cardboard corners and top cover (or optional box) as a means of preventing damage in transit. Upon delivery, the dryer and packaging, and wooden skid **should be** visually inspected for shipping damage. If any damage whatsoever is noticed, inspect further before delivering carrier leaves.

If there are dryers damaged in shipment...

1. **ALL** dryers **should be** inspected upon receipt and before they are signed for.
2. If there is suspected damage or actual damage, the trucker's receipt **should be** so noted.
3. If the dryer is damaged beyond repair, it **should be** refused. Those dryers which were not damaged in a damaged shipment **should be** accepted, but the number received and the number refused **must be** noted on the receipt.
4. If you determine that the dryer was damaged after the trucker has left your location, you should call the delivering carrier's freight terminal immediately and file a claim. The freight company considers this concealed damage. This type of freight claim is very difficult to get paid and becomes extremely difficult when more than a day or two passes after the freight was delivered. It is your responsibility to file freight claims. Dryers and parts damaged in transit **cannot** be claimed under warranty.
5. Freight claims are the responsibility of the consignee, and **ALL** claims **must be** filed at the receiving end. Manufacturer assumes no responsibility for freight claims or damages.
6. If you need assistance in handling the situation, please contact the manufacturer traffic manager at (508) 678-9000.

IMPORTANT: The dryer **must be** transported and handled in an upright position at all times.

B. SAFETY PRECAUTIONS

WARNING: For your safety, the information in this manual *must be* followed to minimize the risk of fire or explosion or to prevent property damage, personal injury, or loss of life.

**WARNING: The dryer must never be operated with any of the back guards, outer tops, or service panels removed.
PERSONAL INJURY or FIRE COULD RESULT.**

1. **DO NOT** store or use gasoline or other flammable vapors and liquids in the vicinity of this or any other appliance.
2. Purchaser or user should consult the local gas supplier for proper instructions to be followed in the event the user smells gas. The instructions **should be** posted in a prominent location.
3. WHAT TO DO IF YOU SMELL GAS
 - a. **DO NOT** try to light any appliance.
 - b. **DO NOT** touch any electrical switch.
 - c. **DO NOT** use any phone in your building.
 - d. Clear the room, building, or area of **ALL** occupants.
 - e. IMMEDIATELY call your gas supplier from a neighbor's phone. Follow the gas supplier's instructions.
 - f. If you **cannot** reach your gas supplier, call the fire department.
4. Installation and service **must be** performed by a qualified installer, service agency, or gas supplier.
5. Dryers **must be** exhausted to the outdoors.
6. Although the MDG-50 is a very versatile machine, there are some articles that, due to fabric composition or cleaning method, **should not** be dried in it.

WARNING: Dry only water-washed fabrics. **DO NOT** dry articles spotted or washed in dry cleaning solvents, a combustible detergent, or "all purpose" cleaner.
EXPLOSION COULD RESULT.

WARNING: **DO NOT** dry rags or articles coated or contaminated with gasoline, kerosene, oil, paint, or wax.
EXPLOSION COULD RESULT.

WARNING: *DO NOT* dry mop heads. Contamination by wax or flammable solvent will create a fire hazard.

WARNING: *DO NOT* use heat for drying articles that contain plastic, foam, sponge rubber, or similarly textured rubberlike materials. Drying in a heated basket (tumbler) may damage plastics or rubber and also may be a fire hazard.

7. A program **should be** established for the inspection and cleaning of lint in the burner area, exhaust duct work, and area around the back of the dryer. The frequency of inspection and cleaning can best be determined from experience at each location.

WARNING: The collection of lint in the burner area and exhaust duct work can create a potential fire hazard.

8. For personal safety, the dryer **must be** electrically grounded in accordance with local codes or the NATIONAL ELECTRIC CODE ANSI/NFPA NO. 70-LATEST EDITION, or in Canada, the CANADIAN ELECTRICAL CODES PARTS 1 & 2 CSA C22.1-1990 or LATEST EDITION.

NOTE: Failure to do so will VOID THE WARRANTY.

9. UNDER NO CIRCUMSTANCES should the dryer door switches, lint drawer switch, or heat safety circuit, ever be disabled.

WARNING: PERSONAL INJURY or FIRE COULD RESULT.

10. This dryer is not to be used in the presence of dry cleaning solvents or fumes.

11. Remove articles from the dryer as soon as the drying cycle has been completed.

WARNING: Articles left in the dryer after the drying and cooling cycles have been complete can create a fire hazard.

12. READ and FOLLOW ALL CAUTION and DIRECTION LABELS ATTACHED TO THE DRYER.

WARNING: YOU MUST DISCONNECT and LOCKOUT THE ELECTRIC SUPPLY and THE GAS SUPPLY BEFORE ANY COVERS or GUARDS ARE REMOVED FROM THE MACHINE TO ALLOW ACCESS FOR CLEANING, ADJUSTING, INSTALLATION, or TESTING OF ANY EQUIPMENT per OSHA (Occupational Safety and Health Administration) STANDARDS.

13. For safety, proper operation, and optimum performance, the dryer **must not be** operated with a load less than sixty-six percent (66%) - 33 pounds/15 kg - of its rated capacity.

SECTION II

SPECIFICATIONS

A. SPECIFICATIONS

MAXIMUM CAPACITY (DRY WEIGHT)	50 lbs.	22.7 kg	
BASKET (TUMBLER) DIAMETER	32-3/4"	83.2 cm	
BASKET (TUMBLER) DEPTH	37-1/2"	95.3 cm	
BASKET (TUMBLER) MOTOR	3/4 HP*	0.560 kw	
DOOR OPENING (DIAMETER)	21-1/2"	54.61 cm	
BASKET (TUMBLER) VOLUME	18.3 cu. ft.	0.518 cu.m.	
DRYERS PER 20'40' CONTAINER	10/20		
DRYERS PER 45'48' TRUCK	24/26		
GAS	VOLTAGE AVAILABLE	120-460v 1ø - 3ø 3, 4w 50/60 Hz	
	APPROX. WEIGHT (UNCRATED)	601 lbs.	272.6 kg
	APPROX. WEIGHT (CRATED)	646 lbs.	293 kg
	HEAT INPUT	130,000 btuh	32,760 kcal/hr
	AIRFLOW	600 cfm	17 cmm
	INLET PIPE CONNECTION	1/2" F.P.T.**	

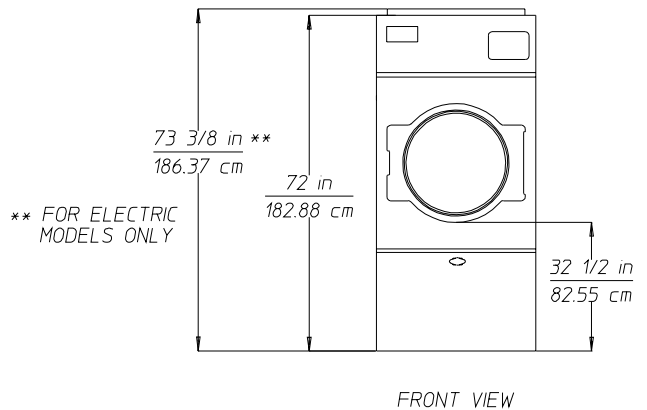
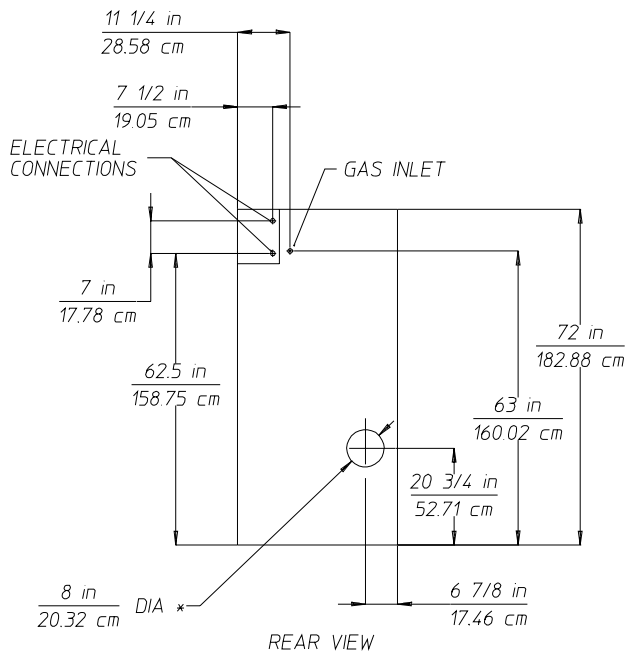
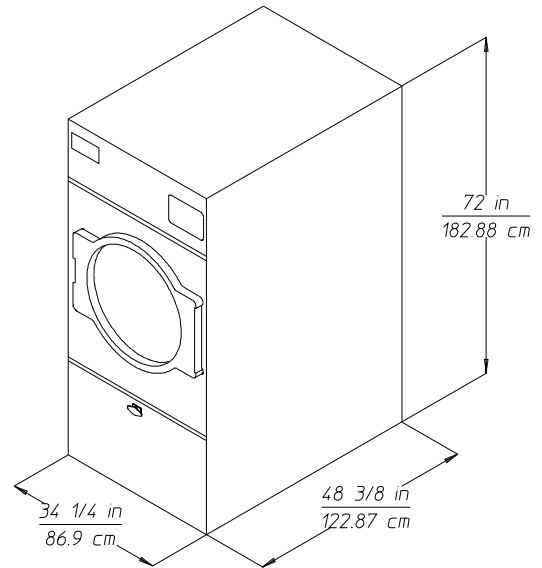
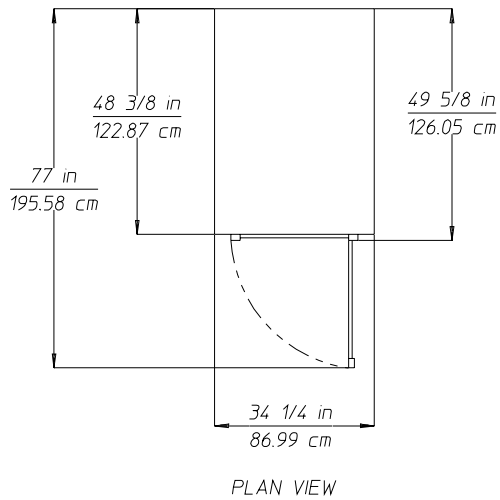
* 50 lbs. reversing dryer available with 3ø motors standard with 1/2 HP motors.

** Size of piping to dryer varies with installation conditions. Contact factory for assistance.

NOTE: Manufacturer reserves the right to make changes in specifications at any time without notice or obligation.

Specifications

MDG-50



NOTE: Manufacturer reserves the right to make changes in specifications at any time without notice or obligation.

SECTION III

INSTALLATION PROCEDURES

Installation **should be** performed by competent technicians in accordance with local and state codes. In the absence of these codes, the installation **must conform** to applicable AMERICAN NATIONAL STANDARDS: ANSI Z223.1-LATEST EDITION (National Fuel Gas Code) or ANSI/NFPA NO.70-LATEST EDITION (National Electrical Code) or in Canada, the installation **must conform** to applicable Canadian Standards: CAN/CGA-B149.1-M91 (Natural Gas) or CAN/CGA-B149.2-M91 (L.P. Gas) or LATEST EDITION (for General Installation and Gas Plumbing) or Canadian Electrical Codes Parts 1 & 2 CSA C22.1-1990 or LATEST EDITION (for Electrical Connections).

A. UNPACKING and SETTING UP

Remove protective shipping material (i.e., plastic wrap and optional shipping box) from dryer.

IMPORTANT: Dryer *must be* transported and handled in an upright position at all times.

NOTE: For OPL dryer models equipped with locks, the lock used is a dummy lock and no key is supplied or needed. The lock can be turned with any key, a screwdriver, a small coin, or any small sharp object. For coin-operated dryers, a key is provided, and (master key for both the Control Door and Lint Door) *should be* made accessible because it will be needed throughout various phases in the installation of the dryer.

The dryer can be moved to its final location while still attached to the skid or with the skid removed. To un-skid the dryer, locate and remove the four (4) bolts securing the base of the dryer to the wooden skid. Two (2) are at the rear base (remove the back panel for access), and two (2) are located in the bottom of the lint chamber. To remove the two (2) bolts located in the lint chamber area, remove the lint door.

With the skid removed, to make it easier to slide the dryer into its final position, slightly lower **ALL** four (4) leveling legs, so that the dryer will slide on the legs instead of the base frame.

To increase bearing life and improve efficiency, the dryer **should be** tilted slightly to the rear.

The lint coops of **ALL** MDG-50 model dryers are supported during shipping by a bracket. **REMOVE THIS BRACKET BEFORE STARTING THE DRYER.**

1. Leveling Dryer

The dryer is equipped with four (4) leveling legs, one at each corner of the base. Two (2) are located at the rear of the dryer base, and two (2) are located in the lint chamber (coop). To increase bearing life and improve efficiency, the dryer **should be** tilted slightly to the rear.

B. LOCATION REQUIREMENTS

Before installing the dryer, be sure the location conforms to local codes and ordinances. In the absence of such codes or ordinances the location **must conform** with the National Fuel Gas Code ANSI.Z223.1-LATEST EDITION or in Canada, the installation **must conform** to applicable Canadian Standards: CAN/CGA-B149.1-M91 (Natural Gas) or CAN/CGA-B149.2-M91 (L.P. Gas) or LATEST EDITION (for General Installation and Gas Plumbing) or Canadian Electrical Codes Parts 1 & 2 CSA C22.1-1990 or LATEST EDITION (for Electrical Connections).

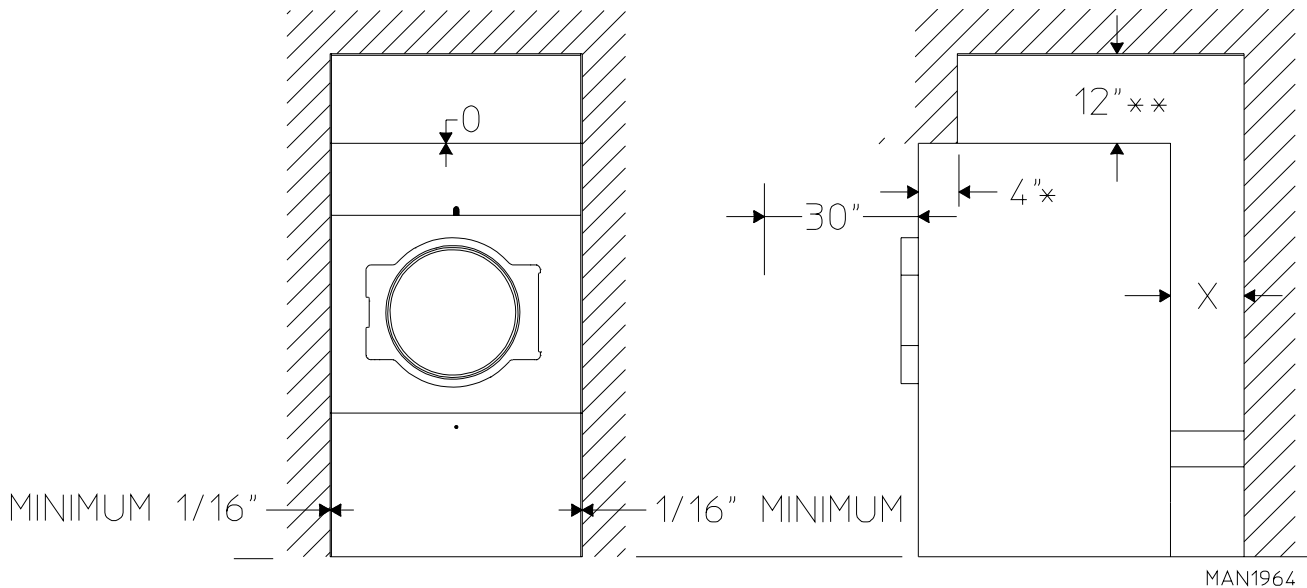
1. The dryer **must be** installed on a sound level floor capable of supporting its weight. It is recommended that carpeting be removed from the floor area that the dryer is to rest on.
2. The dryer **must not be** installed or stored in an area where it will be exposed to water and/or weather.
3. The dryer is for use in noncombustible locations.
4. Provisions for adequate air supply **must be** provided as noted in this manual (refer to **Fresh Air Supply** in **Section D**).
5. Clearance provisions **must be** made from combustible construction as noted in this manual (refer to **Dryer Enclosure Requirements** in **Section C**).
6. Provisions **must be** made for adequate clearances for servicing and for operation as noted in this manual (refer to **Dryer Enclosure Requirements** in **Section C**).
7. Dryer **must be** exhausted to the outdoors (refer to **Exhaust Requirements** in **Section E**).
8. Dryer **must be** located in an area where correct exhaust venting can be achieved as noted in the manual (refer to **Exhaust Requirements** in **Section E**).

IMPORTANT: Dryer *should be* located where a minimum amount of exhaust duct *will be* necessary.

C. DRYER ENCLOSURE REQUIREMENTS

Bulkheads and partitions **should be** made of noncombustible materials and **must be** located a minimum of twelve (12) inches above the dryer's outer top; eighteen (18) inches for locations with sprinkler systems, except along the front of the dryer which may be closed if desired.

NOTE: Allowances *must be* made for opening the control door.



X = 12" minimum, 24" suggested for ease of maintenance.

* 1" maximum for electric dryers.

** 18" minimum for locations with sprinkler systems.

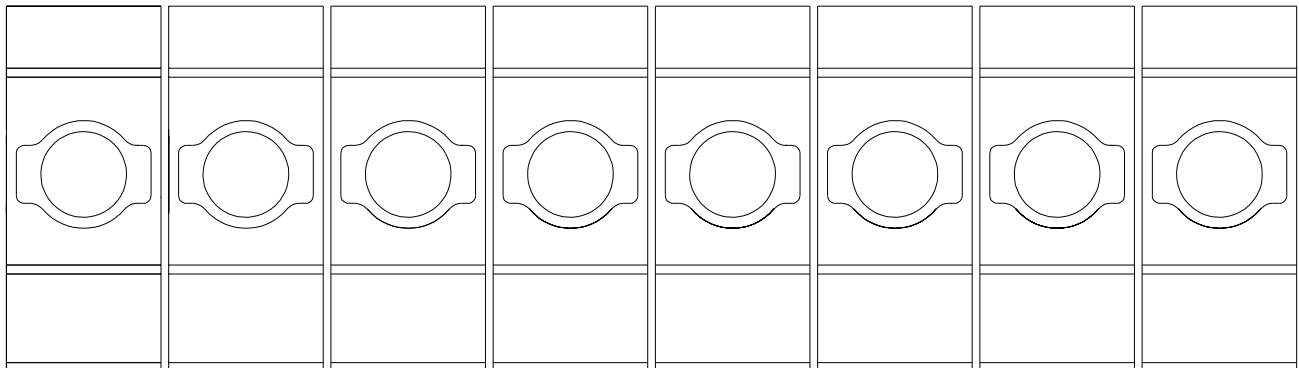
NOTE: Air considerations are important for proper and efficient operation.

Dryers may be positioned side wall to side wall. However, a 1/16" minimum allowance **must be** made for opening and closing of the control door and the lint door. It is suggested that the dryer be positioned about two (2) feet away from the nearest obstruction for ease of installation, maintenance, and service (to be measured from the back guard). Refer to the **illustration above** for details.

D. FRESH AIR SUPPLY

The MDG-50 air supply (makeup air) **must be** given careful consideration to assure proper performance of each dryer. An unrestricted source of air is necessary for each dryer. As a general rule, an unrestricted air entrance from the outdoors (atmosphere) of a minimum of 1-1/2 square feet is required for each dryer. If registers or louvers are installed over the openings, then the area **must be** increased. It is not necessary to have a separate makeup air openings for each dryer. Common makeup air openings are acceptable. However, they **must be** set up in such a manner that the makeup air is distributed equally to the dryers.

EXAMPLE: For a bank of eight (8) dryers, twelve (12) square feet; two (2) unrestricted openings measuring 2 feet by 3 feet (6 square feet each) is acceptable.



MAN1779

TYPICAL INSTALLATION SHOWING MAKE - UP AIR OPENINGS

IMPORTANT: Makeup air openings *should not* be located in an area directly near where exhaust vents exit the building.

Allowances **must be** made for remote or constricting passageways or where dryers are located at excessive altitudes or predominantly low pressure areas.

IMPORTANT: Makeup air *must be* provided from a source free of dry cleaning solvent fumes. Makeup air that is contaminated by dry cleaning solvent fumes will result in irreparable damage to motors and other dryer components.

NOTE: Component failure due to dry cleaning solvent fumes will VOID THE WARRANTY.

E. EXHAUST REQUIREMENTS

Exhaust duct work **should be** designed and installed by a qualified professional. Improperly sized duct work will create excessive back pressure which results in slow drying, increased use of energy, and shutdown of the burner by the airflow (sail) switch, burner hi-limit, or lint chamber hi-heat protector thermostat.

Where possible, it is suggested to provide a separate (single) exhaust duct for each dryer.

CAUTION: IMPROPERLY SIZED OR INSTALLED EXHAUST DUCT WORK CAN CREATE A POTENTIAL FIRE HAZARD.

CAUTION: DRYER *MUST BE* EXHAUSTED TO THE OUTDOORS.

The exhaust duct work **should be** laid out in such a way that the duct work travels as directly as possible to the outdoors with as few turns as possible. The shape of the duct work is not critical so long as the minimum cross section area is provided. Single or independent dryer venting is recommended.

It is suggested that the use of 90° turns be avoided; use 30° or 45° angles instead.

The duct work **should be** smooth inside with no projections from sheet metal screws or other obstructions which will collect lint. When adding ducts, the ducts to be added should overlap the duct to which it is connected. **ALL** duct work joints **must be** taped to prevent moisture and lint from escaping into the building. Additionally, inspection doors **should be** installed at strategic points in the exhaust duct work for periodic inspection and cleaning.

IMPORTANT: When connecting duct work to the dryer exhaust duct, be sure that when screws are used they do not restrict the operation (both opening and closing) of the damper.

NOTE: When the exhaust duct passes through a wall, ceiling, or roof made of combustible materials, the opening must be 2 inches larger (all the way around) than the duct. The duct **must be** centered within this opening.

To protect the outside end of horizontal duct work from the weather, a 90° elbow bent downward **should be** installed where the exhaust exits the building. If the duct work travels vertically up through the roof, it **should be** protected from the weather by using a 180° turn to point the opening downward. In either case, allow at least twice the diameter of the duct between the duct opening and the nearest obstruction (i.e., roof or ground level).

IMPORTANT: *DO NOT* use screens or caps on the outside of opening of exhaust duct work.

IMPORTANT: Exhaust back pressure measured by a manometer at the dryer exhaust duct area **must not** exceed 0.3 inches of water column (W.C.).

SINGLE DRYER VENTING

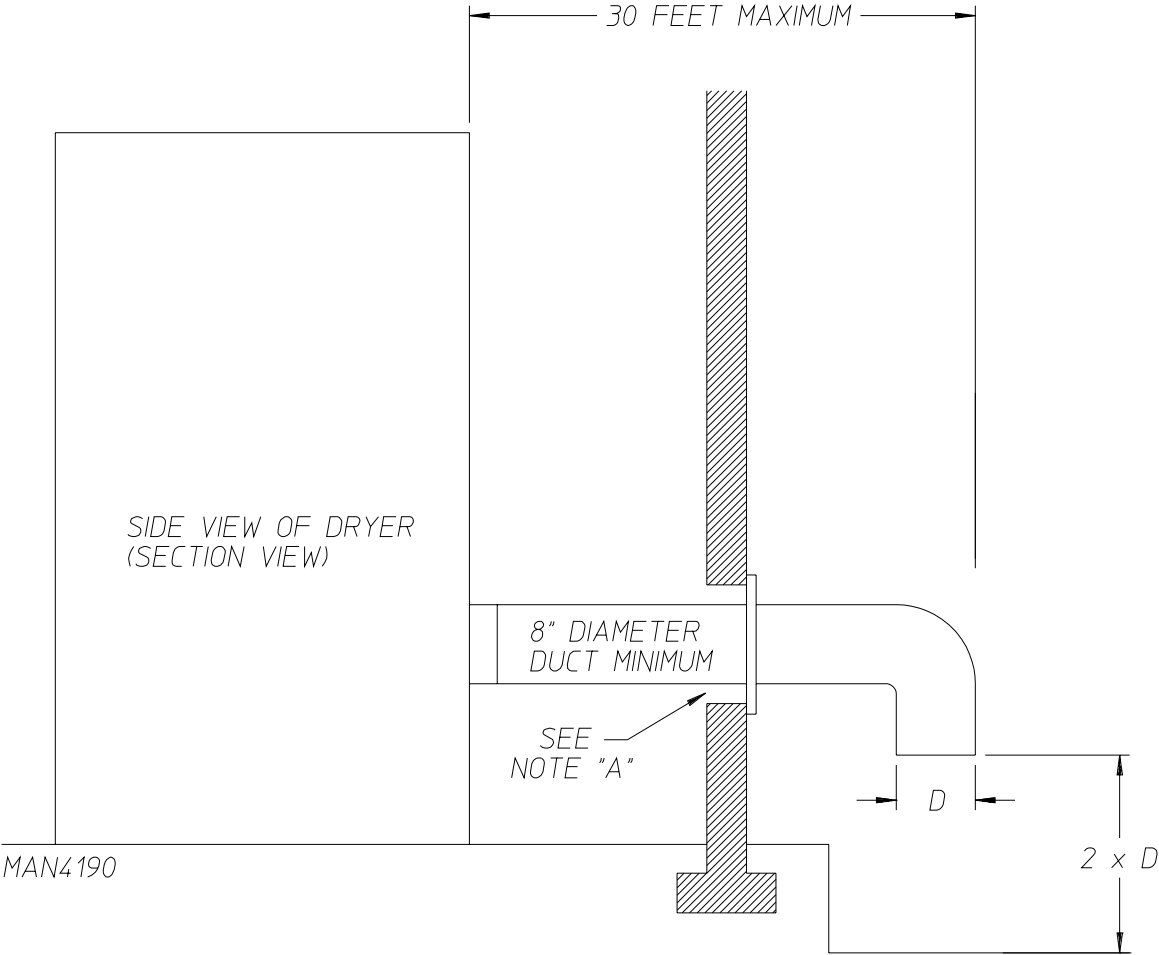
IMPORTANT: For exhaust duct runs over 30 feet a minimum size of 10 inches *must be* used.

HORIZONTAL VENTING

When horizontal single 8-inch venting is used, the duct work to the outlet cannot **exceed** 30 feet (refer to **Illus. A below**). This calculation of 30 feet compensates or allows for the use of a maximum of only one (1) elbow (which is the outside outlet protection).

Illus. A

HORIZONTAL SINGLE DRYER VENTING 8 INCH DUCTING

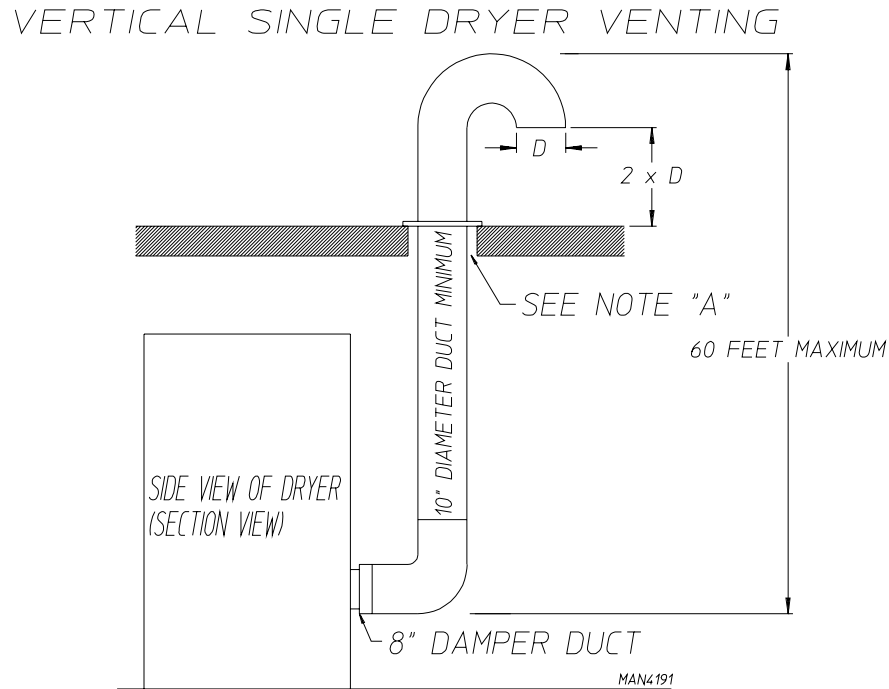


NOTE A: OPENING MUST BE TWO (2) INCHES LARGER THAN THE DUCT (ALL THE WAY AROUND) THE DUCT MUST BE CENTERED WITHIN THIS OPENING.

VERTICAL VENTING

When vertical single 10-inch venting is used (refer to **Illus. B below**), the duct work from the dryer to the outside outlet **cannot** exceed 60 feet (refer to **Illus. B below**). This calculation compensates for the use of a maximum of three (3) elbows including the two (2) elbows creating the 180° (turned downward) outside outlet.

Illus. B



NOTE A: OPENING MUST BE TWO (2) INCHES LARGER THAN THE DUCT (ALL THE WAY AROUND)
THE DUCT MUST BE CENTERED WITHIN THIS OPENING.

If the length of the duct run or quantity of elbows used exceeds the above noted specifications, the cross section area of the duct work **must be** increased in proportion to the number of elbows or duct run added.

IMPORTANT: For extended duct work runs, the cross section area of the duct can only be increased to an extent. For extended duct work runs, a professional HVAC firm **should be** consulted for proper venting information.

MULTIPLE DRYER (Common) VENTING

If it is not feasible to provide separate exhaust ducts for each dryer, ducts for individual dryers may be channeled into a common main duct. Each dryer is provided with a back draft damper. The individual ducts should enter the bottom or side of the main duct at an angle not more than 45° in the direction of the airflow.

The main common duct may be any shape so long as the minimum cross-sectional area is provided. The main duct should be tapered with the diameter increasing before each individual 8-inch duct is added (refer to **Illus. C** for horizontal venting and **Illus D** for vertical venting).

IMPORTANT: No more than four (4) dryers maximum *should be* connected to one (1) main common duct with a vertical run.

NOTE: Distance between dryer single ducts being connected to the main common duct *must be* a minimum of 34-1/4" (dryer width).

Duct work *should be* laid out in such a manner where allowances are made at rear area of the dryer for removal of rear service panels or guards.

The **illustrations** on **page 16** show the minimum cross-section area for multiple dryer venting. These figures **must be** increased in proportion if the main duct run from the last dryer to where it exhausts has numerous elbows or is unusually long.

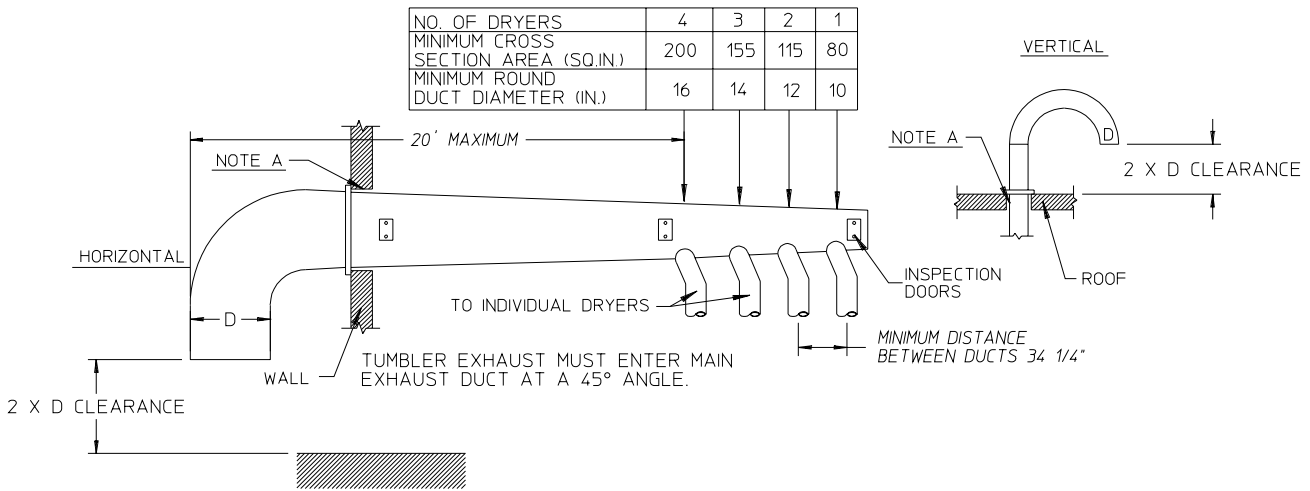
IMPORTANT: For extended duct work runs, the cross-section area of the duct can only be increased to an extent. For extended duct work runs, a professional HVAC firm *should be* consulted for proper venting information.

Refer to **page 16** for multiple dryer horizontal venting and vertical venting examples and illustrations.

HORIZONTAL VENTING

Illus. C

MULTIPLE DRYER VENTING WITH 8" DIAMETER EXHAUST CONNECTIONS AT COMMON DUCT



MAN4218

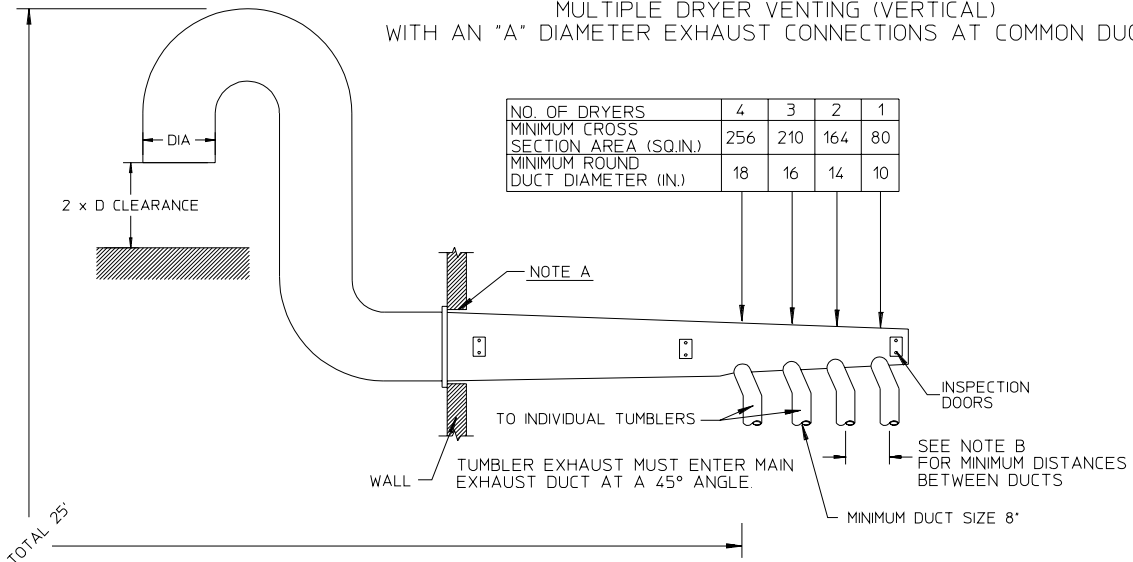
IMPORTANT: NO MORE THAN 4 DRYERS CAN BE CONNECTED TO ONE COMMON DUCT (VENT).

NOTE A: OPENING MUST BE TWO (2) INCHES LARGER THAN DUCT (ALL THE WAY AROUND). THE DUCT MUST BE CENTERED WITHIN THIS OPENING.

VERTICAL VENTING

ILLUS. D.

MULTIPLE DRYER VENTING (VERTICAL) WITH AN "A" DIAMETER EXHAUST CONNECTIONS AT COMMON DUCT



IMPORTANT: NO MORE THAN 4 DRYERS CAN BE CONNECTED TO ONE COMMON DUCT (VENT).

NOTE A: OPENING MUST BE TWO (2) INCHES LARGER THAN DUCT (ALL THE WAY AROUND). THE DUCT MUST BE CENTERED WITHIN THIS OPENING.

NOTE B: AD-50 ... 3/4"

MAN4220

FORMULAS TO CALCULATE DUCTING CROSS SECTIONAL AREA

CROSS SECTIONAL AREA OF A ROUND DUCT = .785 x DIA²

CROSS SECTIONAL AREA OF A RECTANGULAR DUCT = WIDTH x HEIGHT.

IMPORTANT VENTING REMINDERS

1. Duct work size and installation **should be** done by a qualified professional.
2. The dryer **must be** exhausted to the outdoors.
3. Duct work **should be** routed as short as possible to the outdoors with as few elbows as possible.
4. Avoid 90° turns, use 30° or 45° turns instead.
5. The size of the duct work **must be** a minimum of 8 inches for horizontal runs and 10 inches for vertical runs.
6. The inside of the duct work **should be** as smooth as possible with no projections from sheet metal screws.

Ducts added **should overlap** the duct to which it is to be connected.
7. **ALL** ducts **should be** taped to prevent moisture and lint from escaping into the building.
8. Inspection or clean out doors **should be** installed throughout strategic points in the duct work for periodic inspection and cleaning.
9. Wherever the duct passes through combustible materials, the opening **must be** 2 inches larger (all the way around) than the duct. The duct **must be** centered within this opening.
10. The outside of the duct work **must be** protected from the weather. A 90° elbow **must be** used for horizontal run and when vertically through a roof by using a 180° turn to point the opening downward. The distance between the exhaust duct and the nearest obstruction (i.e., roof or ground) **must be** twice the diameter of the duct.
11. **DO NOT** use screens or caps on the outside opening of the exhaust duct work.
12. Exhaust back pressure measured by a manometer at the dryer exhaust duct area **must not** exceed 0.3 inches of water column (W.C.).
13. Exhaust duct work outlets **should not be** located in an area directly where makeup air openings are located.
14. **WARNING** - DRYER **MUST NEVER BE** OPERATED WITHOUT THE LINT FILTER OR SCREEN IN PLACE, EVEN IF AN EXTERNAL LINT COLLECTION SYSTEM IS USED.

F. ELECTRICAL INFORMATION

1. Electrical Requirements

It is your responsibility to have **ALL** electrical connections made by a properly licensed and competent electrician to assure that the electrical installation is adequate and conforms with local and state regulations or codes. In the absence of such codes, **ALL** electrical connections, material, and workmanship **must conform** to the applicable requirements of the National Electrical Code ANSI/NFPA NO.70-LATEST EDITION or in Canada, the installation **must conform** to applicable Canadian Standards: CAN/CGA-B149.1-M91 (Natural Gas) or CAN/CGA-B149.2-M91 (L.P. Gas) or LATEST EDITION (for General Installation and Gas Plumbing) or Canadian Electrical Codes Parts 1 & 2 CSA C22.1-1990 or LATEST EDITION (for Electrical Connections)..

IMPORTANT: Failure to comply with these codes or ordinances or the requirements stipulated in this manual can result in personal injury or component failure.

NOTE: Component failure due to improper installation will VOID THE WARRANTY.

IMPORTANT: Each circuit **must be** connected to an independently protected branch circuit.

IMPORTANT: USE ONLY COPPER CONDUCTOR CABLE of proper ampacity and insulation in accordance with electric codes for making service connections.

NOTE: The use of aluminum wire will VOID THE WARRANTY.

IMPORTANT: A separate circuit servicing each dryer **must be** provided.

2. Electrical Service Specifications

a. Electric Service

IMPORTANT: The dryer **must be** connected to the electric supply shown on the data label that is affixed to the back side of the upper or top control door. In the case of 208 VAC or 230/240 VAC, the supply voltage **must match** the electric service specifications of the data label **exactly**.

IMPORTANT: USE ONLY COPPER CONDUCTOR CABLE of proper ampacity and insulation in accordance with electric codes for making service connections.

WARNING: **208 VAC and 230/240 VAC ARE NOT THE SAME.** Any damage done to dryer components due to improper voltage connections will automatically VOID THE WARRANTY.

NOTE: On gas dryers, to convert from 208 VAC to 240 VAC (or visa versa), the 24 VAC transformer wiring sequence **must be** changed.

NOTE: Component failure due to improper voltage application will VOID THE WARRANTY.

3. Grounding

A ground (earth) connection **must be** provided and installed in accordance with state and local codes. In the absence of these codes, grounding must conform to applicable requirements of the National Electric Code ANSI/NFPA NO. 70-LATEST EDITION or in Canada, Canadian Electrical Codes Parts 1 & 2 CSA C22.1-1990 or LATEST EDITION (for Electrical Connections). The ground connection may be to a proven earth ground at the location service panel.

For added personal safety, when possible, it is suggested that a separate ground wire (no. 18 minimum) be connected from the ground connection of the dryer to a grounded cold water pipe. **DO NOT** ground to a gas pipe or hot water pipe. The grounded cold water pipe must have metal to metal connection all the way to the electrical ground. If there are any nonmetallic interruptions, such as, a meter, pump, plastic, rubber, or other insulating connectors, they **must be** jumped out with no. 4 copper wire and securely clamped to bare metal at both ends.

IMPORTANT: For personal safety and proper operation, the dryer **must be** grounded.

Provisions are made for ground connection in each dryer at the electrical service connection area.

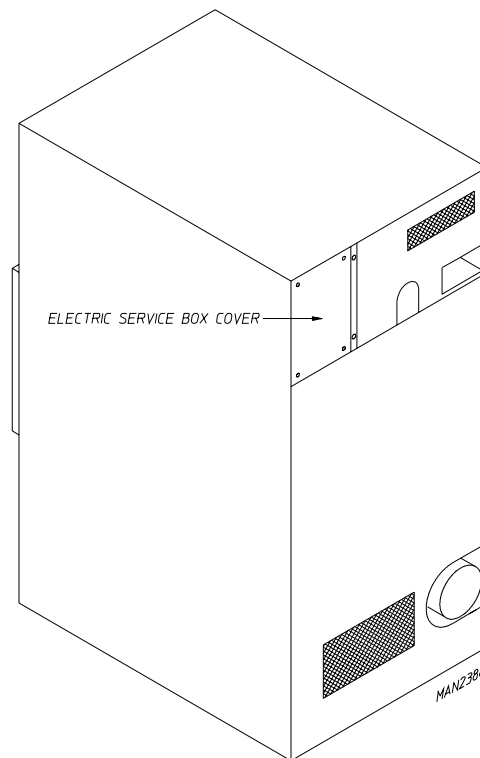
4. Electrical Connections

A wiring diagram is located inside the control box for connection data.

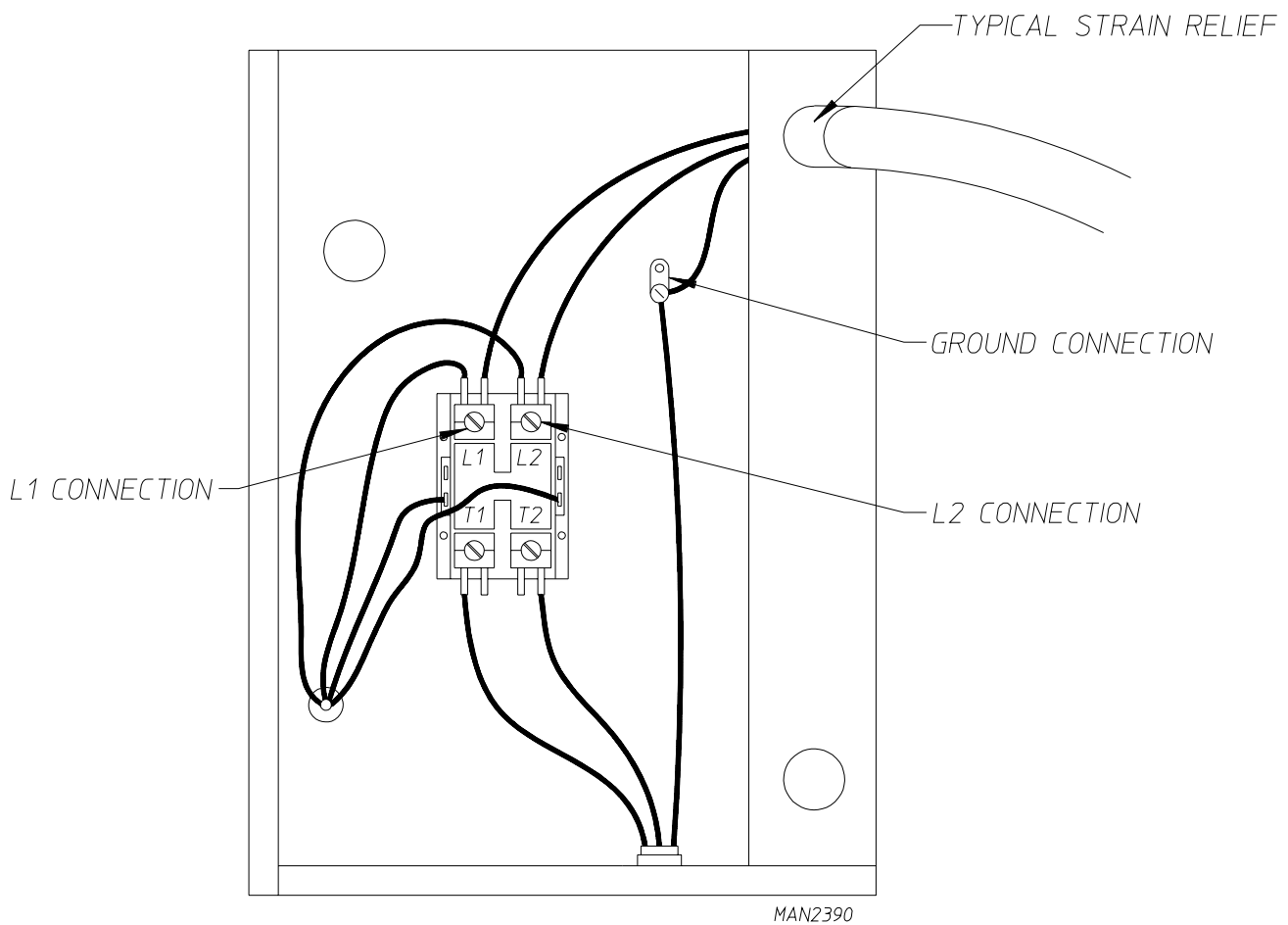
**NOTE: A CIRCUIT SERVING EACH DRYER
MUST BE PROVIDED.**

1) Single-Phase (1 ϕ) Wiring Connections and Hookup

The electrical input connections on **ALL** single-phase (1 ϕ) dryers are made into the rear service box located at the upper left area of the dryer.



SINGLE-PHASE (1Ø) ELECTRICAL CONNECTIONS LEADS		
Black + Positive	White - Neutral	Green Ground
or L2		



If local codes permit, power to the dryer can be made by the use of a flexible U.L. listed power cord or pigtail (wire size **must conform** to rating of dryer), or the dryer can be hard wired directly to the service breaker panel. In both cases, a strain relief **must be** installed where the wiring enters the dryer.

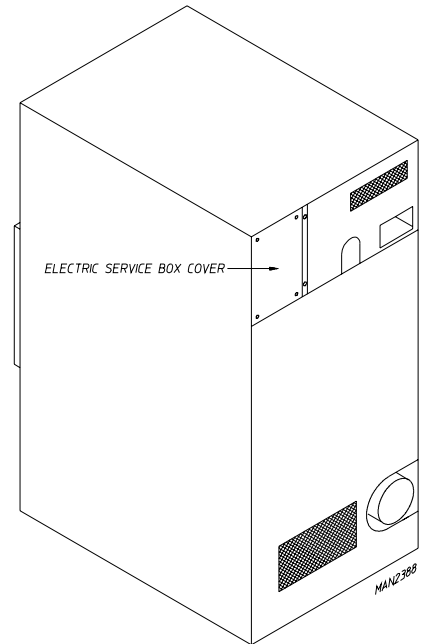
5. 3-Phase (3 ϕ) Wiring Connections/Hookup

The only electrical input connections to the dryer are the 3-phase (3 ϕ) power leads (L1, L2, L3, and sometimes Neutral) and ground. Single-phase (1 ϕ) power for the control circuit is done internally to the dryer. No single-phase (1 ϕ) input connection is required on a 3-phase (3 ϕ) dryer.

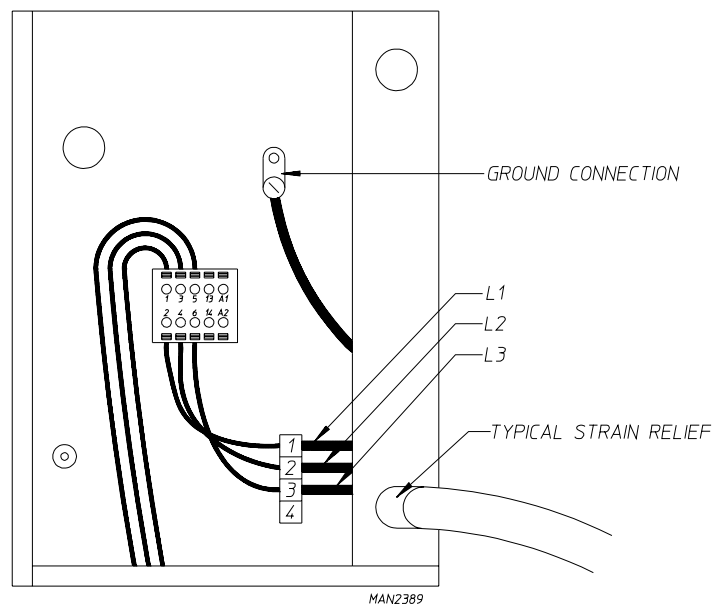
IMPORTANT: A CIRCUIT SERVING EACH DRYER *MUST BE PROVIDED.*

1) 3-Phase (3 ϕ) Wiring Connection/Hookup

For gas dryers manufactured for operation at 3-phase (3 ϕ), the electrical connections are made at the power distribution block located in the service box at the rear, upper left corner of the dryer. The ground connection is made to the copper lug also provided in this box. To gain access to the service box and contactor, the service box cover **must be removed**



Providing local codes permit, power to a dryer can be made by the use of a flexible U.L. listed power cord or pigtail (wire size **must conform** to rating of dryer), or the dryer can be hard wired directly to the service breaker panel. In **ALL** cases, a strain relief **must be** installed where the wiring enters the dryer and service box area.



MDG-50 (Gas)

ELECTRICAL SERVICE SPECIFICATIONS (PER DRYER)

IMPORTANT: 208 VAC and 230/240 VAC ARE NOT THE SAME. When ordering, specify *exact voltage*.

- NOTES:**
- A. Fuse ratings are dual-element, time-delay, current limiting, class RK1 or RK5 **ONLY**.
 - B. Circuit breakers are thermal magnetic (industrial) type **ONLY**. For others, calculate/verify correct breaker size according to appliance amp draw rating and type of breaker used.
 - C. Circuit breakers for 3Ø dryers **must be** 3-pole type.

SERVICE VOLTAGE	PHASE	WIRE SERVICE	APPROX. AMP DRAW		CIRCUIT BREAKER
			60 Hz	50 Hz	
120	1Ø	2	12	--	25
208	1Ø	2	7	--	15
240	1Ø	2	7	4	15
208	3Ø	3	3	--	15
240	3Ø	3	3	3	15
380-400	3Ø	3/4	--	2	15
416	3Ø	3/4	--	2	15
460/480	3Ø	3/4	2	--	15

IMPORTANT: Figures shown are for non-reversing models **ONLY**. For reversing models contact the factory.

IMPORTANT: The dryer *must be* connected to the electric supply shown on the data label that is affixed to the back side of the upper or top control door. In the case of 208 VAC or 230/240 VAC, the supply voltage *must match* the electric service specifications of the data label **exactly**.

IMPORTANT: The wire size *must be* properly sized to handle the related current.

WARNING: **208 VAC and 230/240 VAC ARE NOT THE SAME**. Any damage done to dryer components due to improper voltage connections will automatically VOID THE WARRANTY.

NOTE: Manufacturer reserves the right to make changes in specifications at any time, without notice or obligation.

G. GAS INFORMATION

It is your responsibility to have **ALL** plumbing connections made by a qualified professional to assure that the gas plumbing installation is adequate and conforms with local and state regulations or codes. In the absence of such codes, **ALL** plumbing connections, materials, and workmanship **must conform** to the applicable requirements of the National Fuel Gas Code ANSI Z223.1-LATEST EDITION or in Canada, CAN/CGA-B149.1-M91 (Natural Gas) or CAN/CGA-B149.2-M91 (L.P. Gas) or LATEST EDITION (for General Installation and Gas Plumbing).

IMPORTANT: FAILURE TO COMPLY WITH CODES or ORDINANCES, and/or REQUIREMENTS IN THIS MANUAL, **CAN RESULT IN PERSONAL INJURY and IMPROPER OPERATION OF THE DRYER.**

The dryer and its individual shut-off valves **must be** disconnected from the gas supply piping system during any pressure testing of that system at test pressures in excess of 1/2 psig (3.5 kPa). The dryer **must be** isolated from the gas supply piping system by closing its individual manual shut-off valve during any pressure test of the gas supply system at test pressures equal to or less than 1/2 psig (3.5 kPa).

IMPORTANT: Failure to isolate or disconnect the dryer from supply as noted can cause irreparable damage to the gas valve which will VOID THE WARRANTY.

WARNING: FIRE or EXPLOSION COULD RESULT.

1. Gas Supply

The gas dryer installation **must meet** the American National Standard: National Fuel Gas Code ANSI Z223.1-LATEST EDITION, or in Canada, CAN/CGA-B149.1-M91 (Natural Gas) or CAN/CGA-B149.2-M91 (L.P. Gas) or LATEST EDITION (for General Installation and Gas Plumbing) or Canadian Electrical Codes Parts 1 & 2 CSA C22.1-1990, as well as local codes and ordinances and **must be** done by a qualified professional.

NOTE: Undersized gas piping will result in ignition problems, slow drying, increased use of energy, and can create a safety hazard.

The dryer **must be** connected to the type of heat or gas indicated on the dryer label affixed behind the top access or control door. If this information does not agree with the type of gas available, **DO NOT operate the dryer**. Contact the distributor who sold the dryer or the manufacturer.

IMPORTANT: Any burner changes or conversions **must be** made by a qualified professional.

The input ratings shown on the dryer data label are for elevations up to 2,000 feet, unless elevation requirements of over 2,000 feet were specified at the time the dryer order was placed with the factory. The adjustment or conversion of dryers in the field for elevations over 2,000 feet are made by changing each burner orifice. If this conversion is necessary, contact the distributor who sold the dryer or contact the manufacturer.

2. Technical Gas Data

a. Gas Specifications

	TYPE OF GAS			
	Natural		Liquid Propane (L.P.)	
Manifold Pressure*	3.5 inches W.C.	8.7 mb	10.5 inches W.C.	26.1 mb
Inline Pressure	6.0 - 12.0 inches W.C.	14.92 - 29.9 mb	10.5 inches W.C.	26.1 mb

Shaded areas are stated in metric equivalents

* Measured at outlet side of gas valve pressure tap when gas valve is on.

b. Gas Connections

Inlet connection ----- 1/2" inch N.P.T.
 Inlet supply size ----- 1/2" inch N.P.T. (minimum)
 Btu/hr input (per dryer) --- 130,000 (32,760 kcal/hr)

1) Natural Gas

Regulation is controlled by the dryer's gas valve's internal regulator. Incoming supply pressure **must be** consistent between a minimum of 6.0 inches and a maximum of 12.0 inches water column (W.C.) pressure.

2) Liquid Propane (L.P.) Gas

Dryers made for use with L.P. gas have the gas valve's internal pressure regulator blocked open so that the gas pressure **must be** regulated upstream of the dryer. The pressure measured at each gas valve pressure tap **must be** a consistent 10.5 inches water column (W.C.). There is no regulator or regulation provided in an L.P. dryer. The water column (W.C.) pressure **must be** regulated at the source (L.P. tank) or an external regulator **must be** added to each dryer.

MODEL NUMBER	BTU Per Hour Rating	kcal/hr Rating	TYPE OF GAS						Liquid Propane (L.P.) Conversion Kit Part Number
			Natural			Liquid Propane (L.P.)			
			Qty.	D.M.S.*	Part Number	Qty.	D.M.S.*	Part Number	
MDG-50	130,000	32,760	2	#25	140853	2	#43	140809	874044

* Drill Material Size (D.M.S.) equivalents are as follows:

Natural Gas #25 = 0.1495" (3.7973 mm)
 Liquid Propane Gas #43 = 0.0890" (2.2606 mm)

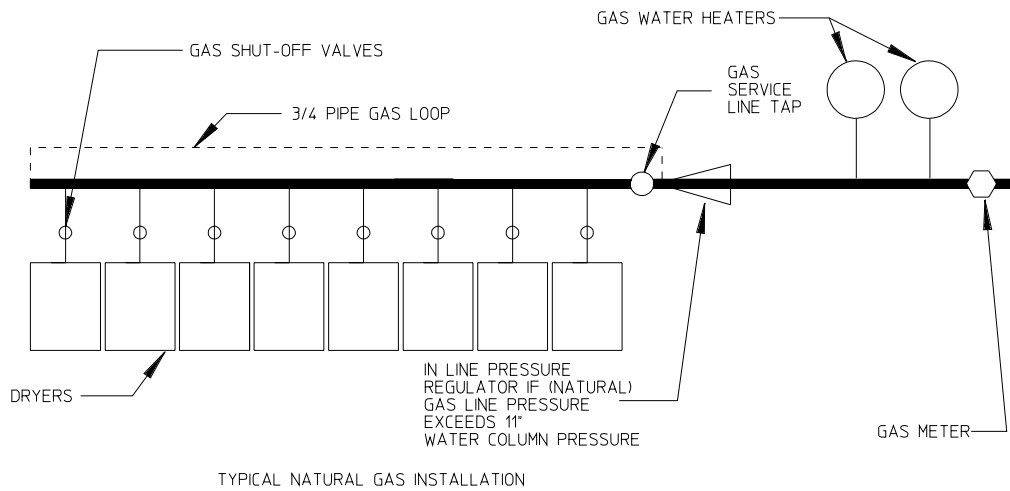
3. Piping Connections

ALL components and materials **must conform** to National or Canadian Gas Code specifications. It is important that gas pressure regulators meet applicable pressure requirements and that gas meters be rated for the total amount of **ALL** the appliance BTU's being supplied.

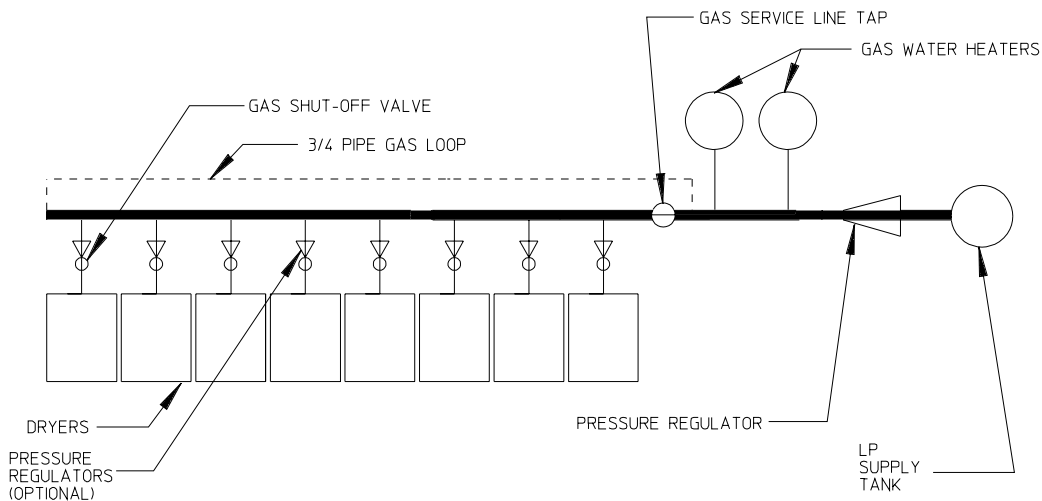
The dryer is provided with a 1/2" N.P.T. inlet pipe connection located at the upper rear area of the dryer. The minimum pipe size (supply line) to the dryer is 1/2" N.P.T. For ease in servicing, the gas supply line of each dryer **must have** its own shut-off valve.

The size of the main gas supply line (header) will vary depending on the distance this line travels from the gas meter or, in the case of L.P. (liquid propane) gas, the supply tank, other gas-operated appliances on the same line, etc. Specific information regarding supply line size **should be** determined by the gas supplier.

NOTE: Undersized gas supply piping can create a low or inconsistent pressure which will result in erratic operation of the burner ignition system.



TYPICAL NATURAL GAS INSTALLATION



TYPICAL L.P. GAS INSTALLATION

MAN0132

Consistent gas pressure is essential at **ALL** gas connections. It is recommended that a 3/4-inch pipe gas loop be installed in the supply line serving a bank of dryers. An in-line pressure regulator **must be** installed in the gas supply line (header) if the (natural) gas pressure exceeds 12.0 inches of water column pressure. Refer to the illustrations on the **previous page (page 25)**.

NOTE: A water column test pressure of 3.5 inches for natural gas and 10.5 inches for L.P. (liquid propane) dryers is required at the gas valve pressure tap of each dryer for proper and safe operation.

A 1/8" N.P.T. plugged tap, accessible for a test gauge connection, **must be** installed in the main gas supply line immediately upstream of each dryer.

IMPORTANT: Pipe joint compounds that resist the action of natural gas and L.P. gas **must be** used.

IMPORTANT: Test **ALL** connections for leaks by brushing on a soapy water solution (liquid detergent works well).

WARNING: NEVER TEST FOR LEAKS WITH A FLAME!

ALL components and materials **must conform** to National Gas Code or Canadian Gas specifications. It is important that gas pressure regulators meet applicable pressure requirements and that gas meters be rated for the total amount of **ALL** the appliance BTU's being supplied.

IMPORTANT: The dryer and its individual shut-off valve **must be** disconnected from the gas supply piping system during any pressure testing of that system at test pressures in excess of 1/2 psig (3.5 kPa).

NOTE: The dryer **must be** isolated from the gas supply piping system by closing its individual manual shut-off valve during any pressure test of the gas supply system at test pressures equal to or less than 1/2 psig (3.5 kPa).

H. PREPARATION FOR OPERATION and START-UP

The following items **should be** checked before attempting to operate the dryer:

1. Read **ALL** "CAUTION," "WARNING," and "DIRECTION" labels attached to the dryer.
2. Check incoming supply voltage to be sure that it is the same as indicated on the dryer data label affixed to the back side of the top front control and service door.
3. Check to assure that the dryer is connected to the type of heat or gas indicated on the dryer data label.
4. The sail switch damper assembly was installed and adjusted at the factory prior to shipping. However, each sail switch adjustment **must be** checked to assure that this important safety control is functioning.
5. Check bolts, nuts, screws, terminals, and fittings for tightness.
6. Be sure that **ALL** gas shut-off valves are in the open position.
7. Check **ALL** back guard panels and service box covers have been replaced.
8. Make sure the lint coop support bracket has been removed.
9. Check the lint door to assure that it is closed and secured in place.

<p>IMPORTANT: If during installation the lint door safety chain was disconnected, it <i>must be</i> reconnected or personal injury may result.</p>
--

10. Rotate the basket (tumbler and drum) by hand to be sure it moves freely.
11. Check bolts, nuts, screws, terminals, and fittings for security.
12. Check tumbler bearing set screws to ensure that they are **ALL** tight.

I. PREOPERATIONAL TESTS

ALL dryers are thoroughly tested and inspected before leaving the factory. However, a preoperational test **should be** performed before the dryer is publicly used. It is possible that adjustments have changed in transit or due to marginal location (installation) conditions.

1. Turn on electric power to the dryer.
2. Refer to the Operating Instructions for starting your particular model dryer.
3. When a gas dryer is first started (during initial start-up), it has a tendency not to ignite on the first ignition attempt. This is because the gas supply piping is filled with air, so it may take a few minutes for the air to be purged from the lines.

NOTE: During the purging period, check to be sure that **ALL** gas shut-off valves are open.

NOTE: Dryers are equipped with a Direct Spark Ignition (DSI) system which has internal diagnostics. If ignition is not established after one (1) time, the heat circuit in the DSI module will lock out until it is manually reset. To reset the DSI (Direct Spark Ignition) system, open and close the main door and restart the dryer.

- a. A gas pressure test **should be** taken at the gas valve pressure tap of each dryer to assure that the water column (W.C.) pressure is correct and consistent.

NOTE: Water column (W.C.) pressure requirements (measured at the pressure tap of the gas valve body):

Natural Gas ----- 3.5 Inches Water Column (W.C.)
Liquid Propane (L.P.) Gas --- 10.5 Inches Water Column (W.C.)

IMPORTANT: There is no regulator provided in an L.P. dryer. The water column pressure **must be** regulated at the source (L.P. tank), or an external regulator **must be** added to each dryer.

4. Make a complete operational check of **ALL** safety related circuits:
 - a. Door Switches
 - b. Hi-Limit thermostats
 - c. Cycling thermostat
 - d. Sail Switch

NOTE: The sail switch can be checked for proper operation by opening the lint door while heating circuit (gas burner) is active (on). The heating unit should shut off within a few seconds. If not, make necessary adjustments to the sail switch.

5. Make a complete operational check of **ALL** operating controls.

NOTE: If computer program changes are required, refer to the computer programming section of the manual supplied with the dryer.

6. The dryer **should be** operated through one (1) complete cycle to assure that no further adjustments are necessary and that **ALL** components are functioning properly.

IMPORTANT: The dryer basket (tumbler) is treated with a protective coating. We suggest tumbling old clothes or material in the basket (tumbler), using a mild detergent to remove the protective coating.

7. Check the electric service phase sequence (3-phase [3 ϕ] models only). While the dryer is operating, check to see if the blower wheel (impeller and fan) is rotating in the proper direction. Looking from the front, the blower (impellor and fan) wheel should spin in the clockwise (CW) direction. If it is, the phasing is correct. If the phasing is incorrect, reverse two (2) of the three (3) leads at connections L1, L2, L3 of the power supply to the dryer.

IMPORTANT: If the blower wheel (impellor and fan) is rotating in the wrong direction, this will not only drastically reduce drying efficiency, but it can also cause premature component failure.

J. PREOPERATIONAL INSTRUCTIONS

COIN MODELS

1. Automatic Mode (Microprocessor [Computer] Models)

- a. When turning on power or when no cycle is in progress, the L.E.D. (light emitting diode) display will read "FILL" or "Amount to Start."
- b. Insert coins.

Once correct "Amount to Start" has been inserted the L.E.D. (light emitting diode) display will read "PUSH."

- c. Select temperature by pushing "HI TEMP," "LO TEMP," or "PERM PRESS." The dryer will start, the L.E.D. (light emitting diode) display will read the temperature cycle selected, and the drying time portion of the L.E.D. (light emitting diode) display will read "00" and count upward as time elapses.

IMPORTANT: If the door is opened during a cycle, both the heat and motor will stop. However, the microprocessor controller (computer) will continue to count downward in time. Continuation of the cycle will resume only after the door has been closed and any other of the three (3) temperature selection buttons is again depressed.

- d. Once the preprogrammed dryness level and cool down period have been reached, or the maximum automatic time has expired, the tone (buzzer) will sound for five (5) seconds, and the L.E.D. (light emitting diode) display will read "donE", at which time the dryer will shut off.

- NOTES:** 1. If the anti-wrinkle program is active, the L.E.D. (light emitting diode) display will continue to read "donE", and the microprocessor controller (computer) will proceed through the anti-wrinkle program until the maximum "Active Guard Time" has expired or until the door is opened, whichever comes first. The L.E.D. (light emitting diode) display will read "FILL" or "Amount to Start."
2. If the anti-wrinkle program is not active or in use, the L.E.D. (light emitting diode) display will read "FILL" or "Amount to Start."

2. Timed Mode (Microprocessor [Computer] Models)

- a. When turning on power or when no cycle is in progress, the L.E.D. (light emitting diode) display will read "FILL" or "Amount to Start."
- b. Insert Coins.
- Once the correct "Amount to Start" has been inserted the L.E.D. (light emitting diode) display will read "PUSH."
- c. Select temperature by pushing "HI TEMP," "LO TEMP," or "PERM PRESS." The dryer will start, and the L.E.D. (light emitting diode) display will read the temperature cycle selected and the drying time.
- d. The dryer will continue through the drying and cooling cycles, showing time counting downward.

IMPORTANT: If the door is opened during a cycle, both the heat and motor will stop. However, the microprocessor controller (computer) will continue to count down in time. Continuation of the cycle will resume only after the door has been closed and any other of the three (3) temperature selection buttons is again depressed.

- e. Upon completion of drying and cooling cycles, the tone (buzzer) will sound for five (5) seconds, and the L.E.D. (light emitting diode) display will read "donE", at which time the dryer will shut off.

- NOTES:** 1. If the anti-wrinkle program is active, the L.E.D. (light emitting diode) display will continue to read "donE", and the microprocessor controller (computer) will proceed through the anti-wrinkle program until the maximum "Active Guard Time" has expired or until the door is opened, whichever comes first. The L.E.D. (light emitting diode) display will read "FILL" or "Amount to Start."
2. If the anti-wrinkle program is not active or in use, the L.E.D. (light emitting diode) display will read "FILL" or "Amount to Start."

3. Free Dry Mode (Microprocessor [Computer] Models)

- a. When turning on power or when no cycle is in progress, the L.E.D. (light emitting diode) display will read "FILL" or "FrEE."

b. Select Temperature

The dryer will start, the L.E.D. (light emitting diode) display will read the temperature cycle selected, and the drying time portion of the L.E.D. (light emitting diode) display will read "00" and count upward as time elapses, or the vended time will count downward, depending on the program parameter setting.

IMPORTANT: If the door is opened during a cycle, both the heat and motor will stop. However, the microprocessor controller (computer) will continue to count the time, either upward or downward, depending on which parameter is programmed. Continuation of the cycle will resume only after the door has been closed and any other of the three (3) temperature selection buttons is again depressed.

c. Once the preprogrammed dryness level and cool down period has been reached or the maximum automatic time has expired, whichever comes first, the tone (buzzer) will sound for five (5) seconds, and the L.E.D. (light emitting diode) display will read "donE", at which time the dryer will shut off.

NOTES: 1. If the anti-wrinkle program is active, the L.E.D. (light emitting diode) display will continue to read "donE", and the microprocessor controller (computer) will proceed through the anti-wrinkle program until the maximum "Active Guard Time" has expired or until the door is opened, whichever comes first. The L.E.D. (light emitting diode) display will read "FILL" or "Amount to Start."

2. If the anti-wrinkle program is not active or in use, the L.E.D. (light emitting diode) display will read "FILL" or "FrEE."

4. Non-Microprocessor (Computer) Models

- a. Turn power on to the dryer.
- b. Insert coins - rotary meter type ONLY.
- c. Select temperature by using rocker switch and selecting "HI TEMP," "LO TEMP," or "PERM PRESS."
- d. Press "Push to Start" button to start the cycle.
- e. Upon completion of the drying and cooling cycles the dryer will shut off.

NOTE: If the door is opened during a cycle, both the heat and motor will stop. Continuation of the cycle will only resume after the door has been closed, and the "Push to Start" button is pressed.

OPL MODELS

1. To start the dryer:

- a. Microprocessor (computer) dryers
 - 1) The L.E.D. (light emitting diode) display will read "FILL."

- 2) Press the "E" on the touch pad of the keyboard.
- 3) The L.E.D. (light emitting diode) display will quickly show "Ld30," "LC04," "F180." The dryer will start, and the L.E.D. (light emitting diode) display will show "dr30."

b. Dual Timer Dryers

- 1) Turn drying timer knob for a time of 20 minutes.
- 2) Select "High Temp."
- 3) Push "Push To Start" switch.
- 4) To stop dryer, open the main door.

K. SHUT DOWN INSTRUCTIONS

If the dryer is to be shut down (taken out of service) for a period of time, the following **MUST BE** performed;

1. Discontinue power to the dryer either at the external disconnect switch or the circuit breaker.
2. Discontinue the heat supply:
 - a. Discontinue the gas supply.
 - 1) **SHUT OFF external gas supply shut-off valve.**
 - 2) **SHUT OFF internal gas supply shut-off valve located in the gas valve burner area.**

SECTION IV

SERVICE and PARTS INFORMATION

A. SERVICE

1. Only competent or trained technicians should service the dryer. If service is required, contact the distributor from whom the Maytag Company equipment was purchased. If the distributor **cannot** be contacted or is unknown, contact the Maytag Company Service Department for a distributor in your area.

NOTE: When contacting the Maytag Company Service Department, be sure to give them the correct **model** and **serial numbers** so that your inquiry is handled in an expeditious manner.

B. PARTS

1. Replacement parts **should be** purchased from the distributor from whom the Maytag Company equipment was purchased. If the distributor **cannot** be contacted or is unknown, contact the Maytag Company for a distributor in your area.

NOTE: When ordering replacement parts from the Maytag Company dealer or the Maytag Company, be sure to give them the correct **model** and **serial numbers** so that your parts order can be processed in an expeditious manner.

SECTION V

WARRANTY INFORMATION

A. RETURNING WARRANTY CARDS

1. Before any dryer leaves the manufacturer, a warranty card is affixed to the glass of the main door. These warranty cards are intended to serve the customer as a record installation date of that specific dryer so as to extend the customer's warranty period.

IMPORTANT: A separate warranty card *must be* completed and returned for each individual dryer.

NOTE: Be sure to include the **installation date** when returning warranty cards.

2. For specific warranty information on your dryer, contact the Maytag distributor who sold you the dryer or call the Maytag Co. at (515) 787-7000.

SECTION VI

ROUTINE MAINTENANCE

A. CLEANING

A program or schedule **should be** established for periodic inspection, cleaning, and removal of lint from various areas of the dryer, as well as throughout the duct work system. The frequency of cleaning can best be determined from experience at each location. Maximum operating efficiency is dependent upon proper air circulation. The accumulation of lint can restrict this air flow. If the guidelines in this section are met, an the manufacturer dryer will provide many years of efficient, trouble-free, and - most importantly - safe operation.

WARNING: LINT FROM MOST FABRICS IS HIGHLY COMBUSTIBLE. THE ACCUMULATION OF LINT CAN CREATE A POTENTIAL FIRE HAZARD.

WARNING: KEEP DRYER AREA CLEAR AND FREE FROM COMBUSTIBLE MATERIALS, GASOLINE, and OTHER FLAMMABLE VAPORS and LIQUIDS.

NOTE: Suggested time intervals shown are for average usage which is considered six (6) to eight (8) operational (running) hours per day.

SUGGESTED CLEANING SCHEDULE

EVERY THIRD or FOURTH LOAD

Clean the lint screen every third or fourth load. A clogged lint screen will cause poor dryer performance. The lint screen is located behind the lint door in the base of the dryer. Open the lint door, brush the lint off the lint screen, and remove the lint. Inspect lint screen and replace if torn.

NOTE: The frequency of cleaning the lint screen can best be determined from experience at each location.

WEEKLY

Clean lint accumulation from lint chamber, thermostat, and microprocessor temperature sensor (sensor bracket) area.

WARNING: TO AVOID THE HAZARD OF ELECTRICAL SHOCK, DISCONTINUE ELECTRICAL SUPPLY TO THE DRYER.

90 DAYS

Inspect and remove lint accumulation in customer-furnished exhaust duct work system from dryer's internal exhaust ducting.

WARNING: THE ACCUMULATION OF LINT IN THE EXHAUST DUCT WORK CAN CREATE A POTENTIAL FIRE HAZARD.

WARNING: *DO NOT* OBSTRUCT THE FLOW OF COMBUSTION and VENTILATION AIR.

WARNING: INSPECT and REMOVE ANY LINT ACCUMULATION WHICH CAN CAUSE THE BACK DRAFT DAMPER TO BIND OR STICK.

NOTE: A back draft damper that is sticking partially closed can result in slow drying and shutdown of heat circuit safety switches or thermostats.

NOTE: When cleaning the dryer cabinets, avoid using harsh abrasives. A product intended for the cleaning of appliances is recommended.

B. ADJUSTMENTS

7 DAYS AFTER INSTALLATION and EVERY 6 MONTHS THEREAFTER

Inspect bolts, nuts, screws, (bearing set screws), nonpermanent gas connections (unions, shut-off valves, orifices, and grounding connections). Motor and drive belts **should be** examined. Cracked or seriously frayed belts **should be** replaced. Tighten loose V-belts when necessary. Complete operational check of controls and valves. Complete operational check of **ALL** safety devices (door switches, lint drawer switch, sail switch, burner, and hi-limit thermostats).

C. LUBRICATION

The motor bearings, idler bearings and under normal or most conditions the tumbler bearings are permanently lubricated. It is physically possible to re-lubricate the tumbler bearings if you choose to do so even though this practice *is not necessary*. Use Shell Alvania #2 or its equivalent. The tumbler bearings used in the dryer **do not have** a grease fitting. Provisions are made in the bearing housing for the addition of a grease fitting which can be obtained elsewhere.

SECTION VII

TROUBLESHOOTING

IMPORTANT: YOU MUST DISCONNECT and LOCKOUT THE ELECTRIC SUPPLY and THE GAS SUPPLY BEFORE ANY COVERS or GUARDS ARE REMOVED FROM THE MACHINE TO ALLOW ACCESS FOR CLEANING, ADJUSTING, INSTALLATION, or TESTING OF ANY EQUIPMENT per OSHA (Occupational Safety and Health Administration) STANDARDS.

The information provided will help isolate the most probable components associated with the difficulty described. The experienced technician realizes, however, that a loose connection or broken or shorted wire may be at fault where electrical components are concerned and not necessarily the suspected component itself.

Electrical parts **should always be** checked for failure before being returned to the factory.

The information provided **should not be** misconstrued as a handbook for use by an untrained person making repairs.

IMPORTANT: When replacing blown fuses, the replacement *must be* of the exact rating as the fuse being replaced.

WARNING: ALL SERVICE and TROUBLESHOOTING SHOULD BE PERFORMED BY A QUALIFIED PROFESSIONAL OR SERVICE AGENCY.

WARNING: WHILE MAKING REPAIRS, OBSERVE ALL SAFETY PRECAUTIONS DISPLAYED ON THE DRYER or SPECIFIED IN THIS MANUAL.

MICROPROCESSOR (COMPUTER) MODELS

A. No L.E.D. (light emitting diode) display

1. Service panel fuse blown or tripped breaker.
2. Blown control circuit L1 or L2 1/2-amp (Slo Blo) fuse.
3. Failed microprocessor controller (computer).
4. Failed step down transformer (*for models 380 volts or higher ONLY*).

B. Drive motor not operating (does not start)

1. Failed drive motor contactor (relay).
2. Failed arc suppressor (A.S.) board (*for Reversing Models ONLY*).
3. Failed drive motor.

4. Failed microprocessor controller (computer).

C. Drive motor (reversing) operates in one direction only, stops and restarts in same direction

1. Failed drive motor contactor (relay).
2. Failed arc suppressor (A.S.) board (*for Reversing Models ONLY*).
3. Failed microprocessor controller (computer).

D. Drive motor operates okay for a few minutes, and then stops and will not restart

1. Motor is overheating and tripping out on internal overload protector
 - a. Motor air vents clogged with lint.
 - b. Low voltage to the motor.
 - c. Failed motor.
 - d. Basket (tumbler) is binding, check for obstruction.
 - e. Failed idler bearings or tumbler bearings.

E. Blower motor not operating (does not start)

1. Failed blower motor contactor (relay).
2. Failed arc suppressor (A.S.) board (*for Reversing Models ONLY*).
3. Failed motor.
4. Failed microprocessor controller (computer).

F. Blower motor operates okay for a few minutes, then stops and will not restart

1. Motor is overheating and tripping out on internal overload protector
 - a. Motor air vents clogged with lint.
 - b. Low voltage to the motor.
 - c. Failed motor.
 - d. Failed (out of balance) impellor (fan).

G. Both drive motor and blower motor not operating (do not start), microprocessor controller (computer) motor indicator dots are on

1. Fault in main door switch circuit.
2. Blown fuse (2-amp very fast acting fuse [if applicable]).

3. Failed arc suppressor (A.S.) board (*for Reversing Models ONLY*).
4. Failed microprocessor controller (computer).
5. Failed 24 VAC transformer.

H. Both drive motor and blower motor run a few minutes and then stop, microprocessor controller (computer) display continues to read time or percent of extraction and all indicator dots are off

1. Fault in main door switch circuit
 - a. Failed main door switch.
 - b. Main door switch out of adjustment.
 - c. Loose connection in door switch circuit.

I. Microprocessor (computer) display reads "dSFL"

1. Fault in microprocessor heat sensing circuit
 - a. Failed microprocessor temperature sensor.
 - b. Failed microprocessor controller (computer).
 - c. Broken wire or connection somewhere between the microprocessor controller (computer) and the microprocessor temperature sensor.

J. Microprocessor controller (computer) display reads "door"

1. Fault (open circuit) in door switch circuit
 - a. Failed main door switch.
 - b. Broken connection or wire in main door circuit.
2. Failed 24 VAC transformer.

K. Microprocessor controller (computer) will not accept any keyboard entries, i.e., L.E.D. (light emitting diode) display reads "FILL" and when keyboard entries are selected, the L.E.D. display continues to read "FILL"

1. Failed keyboard label (touch pad) assembly.
2. Failed microprocessor controller (computer).

L. Microprocessor controller will only accept certain keyboard entries

1. Failed keyboard label (touch pad) assembly.
2. Failed microprocessor controller (computer).

M. Microprocessor controller (computer) locks up and L.E.D. (light emitting diode) display reads erroneous messages or only partial segments

1. Transient power voltage (spikes), disconnect power to dryer, wait one (1) minute, and reestablish power to dryer. If problem is still evident.
 - a. Failed microprocessor controller (computer).
 - b. Failed keyboard label (touch pad) assembly.

N. Dryer stops during a cycle and L.E.D. (light emitting diode) display returns to "FILL"

1. Fault in microprocessor heat sensor circuit.
 - a. Loose connection in wires between temperature sensor and microprocessor controller (computer).
2. Loose connection somewhere in main power circuit to microprocessor controller (computer).

O. Gas heating unit is not operating (no heat), no spark at burner area when dryer is first started, and heat indicator is on

1. Fault in sail switch circuit
 - a. Sail switch is out of adjustment or had failed.
 - b. Sail switch damper is not closing or is fluttering
 1. Lint screen is dirty.
 2. Restriction in exhaust.
2. Fault in burner hi-limit circuit or thermostat.
3. Fault in lint chamber sensor bracket hi-heat protector thermostat.
4. Failed Direct Spark Ignition (DSI) module.
5. Failed DSI (Direct Spark Ignition) ignitor and flame probe assembly.
6. Failed microprocessor controller (computer).

P. No heat, ignitor sparks, burner goes on and off right away

1. DSI (Direct Spark Ignition) ignitor or flame-probe out of adjustment, reposition closer to the flame area.
2. Sail switch is fluttering
 - a. Lint screen dirty.
 - b. Restriction in exhaust duct work.
3. Insufficient makeup air.
4. Failed ignitor and flame-probe assembly.
5. Failed Direct Spark Ignition (DSI) module.
6. Failed gas valve.

3. Fault in lint chamber sensor bracket hi-heat protector thermostat.
4. Failed Direct Spark Ignition (DSI) module.
5. Failed DSI (Direct Spark Ignition) ignitor and flame-probe assembly.
6. Failed microprocessor controller (computer).

Q. Dryer operates but is taking too long to dry

1. Exhaust duct work run too long or is undersized, back pressure **cannot** exceed .3 inches water column (W.C.).
2. Restriction in exhaust
 - a. Exhaust back draft damper is sticking partially closed.
 - b. Restriction in duct work, check duct work from dryer all the way to the outdoors.

Q. Dryer operates but is taking too long to dry

1. Exhaust duct work run too long or is undersized, back pressure **cannot** exceed .3 inches water column (W.C.).
2. Restriction in exhaust
 - a. Exhaust back draft damper is sticking partially closed.
 - b. Restriction in duct work, check duct work from dryer all the way to the outdoors.
3. Low or inconsistent gas pressure.
4. Insufficient makeup air.
5. Poor air and gas mixture at burner, yellow or poor flame pattern; adjust gas burner air adjustment shutters.
6. Lint screen not being cleaned on regular basis.
7. Extractors (washers) not performing properly.
8. Sail switch is fluttering, restriction in exhaust.
9. Failed microprocessor controller (computer), temperature calibration is inaccurate.
10. Failed microprocessor temperature sensor, calibration is inaccurate.
11. Failed burner or oven hi-limit.
12. Failed lint compartment hi-limit.

R. Condensation on main door glass

1. Too long, undersized, or improperly installed duct work.
2. Back draft damper is sticking in partially closed position.

S. Dryer or scraping noise at basket (tumbler) area

1. Check for object caught in basket (tumbler) or wrapper area.
2. Basket (tumbler) is out of proper alignment
 - a. Check both vertical and lateral alignment.
 - b. Check gap between front panel and basket (tumbler) front, set screws may have come loose, and basket (tumbler) walked forward or backwards.
3. Loose basket (tumbler) tie rod.
4. Failed basket (tumbler) support.

T. Excessive noise or vibration

1. Dryer not leveled properly.
2. Impellor (fan and blower) out of balance
 - a. Excessive lint build up on impellor (fan and blower).
 - b. Failed impellor (fan and blower).
3. Loose basket (tumbler) tie rod.
4. Basket out of adjustment, or adjustment bolts (hardware) are loose.
5. Failed basket (tumbler) support.
6. Loose motor mount.
7. Failed idler or tumbler bearings.
8. V-belts either too tight or too loose.

U. Main burners are burning with a yellow flame

1. Burner air shutters are out of adjustment.
2. Insufficient makeup air.
3. Dust or lint in burner.
4. Insufficient gas pressure.

DUAL TIMER MODELS

A. Dryer will not start, both drive and blower motors not operating (indicator light is off)

1. Dryer control circuit fuse is blown.
2. Open at location, service main fuse or circuit breaker.
3. Failed push to start relay.
4. Failed door switch or circuit.
5. Failed heat timer.
6. Failed dual timer relay.

B. Drive motor (only) not operating

1. Failed drive motor contactor.
2. Failed reversing timer (*for Reversing Models ONLY*).
3. Failed drive motor.

C. Blower motor (only) not operating

1. Failed impellor (fan and blower) motor contactor (relay).
2. Failed blower (impellor and fan) motor.

D. Both drive and blower motors not operating (indicator light is on)

1. Fault with L1 termination at reversing timer (*for Reversing Models ONLY*).
2. Failed drying timer.

E. Reversing drive motor operates in one direction only, stops, and restarts in same direction (for Reversing Models ONLY)

1. Failed reversing contactor (relay).
2. Failed reversing timer.

F. Heating unit not operating (ALL temperature selections)

1. Fault in sail switch circuit
 - a. Sail switch out of adjustment or failed.
 - b. Sail switch not closing or fluttering
 - 1) Check blower (impellor and fan) motor and rotation direction.
 - 2) Restriction in location exhaust system.
2. Failed burner hi-limit circuit.
3. Failed lint compartment automatic (225° F [107° C]) safety thermostat circuit.
4. Failed heat selector switch.

G. Heat unit not operating for only one (1) temperature selection

1. Failed thermostat corresponding to selection made.
2. Failed heat selector switch

H. Dryer operates but is taking too long to dry load

1. Heating unit cycling on hi-limit thermostat.
2. Housekeeping

- a. Lint screen and lint compartment not being cleaned on a regular basis.
- b. Lint accumulation in location exhaust system.
3. Insufficient makeup air.
4. Failed hi-limit thermostat.
5. Failed lint compartment automatic (225° F [107° C]) safety thermostat circuit.
6. Extractors not performing properly.
7. Low or inconsistent gas pressure.
8. Gas supply may have low heating value.
9. Sail switch is fluttering
 - a. Restriction in location exhaust system.
10. Exceptional cold or humidity, or low barometric pressure atmosphere.
11. Blower (impellor and fan) motor rotation direction is incorrect.

I. Dryer is cycling on hi-limit thermostat

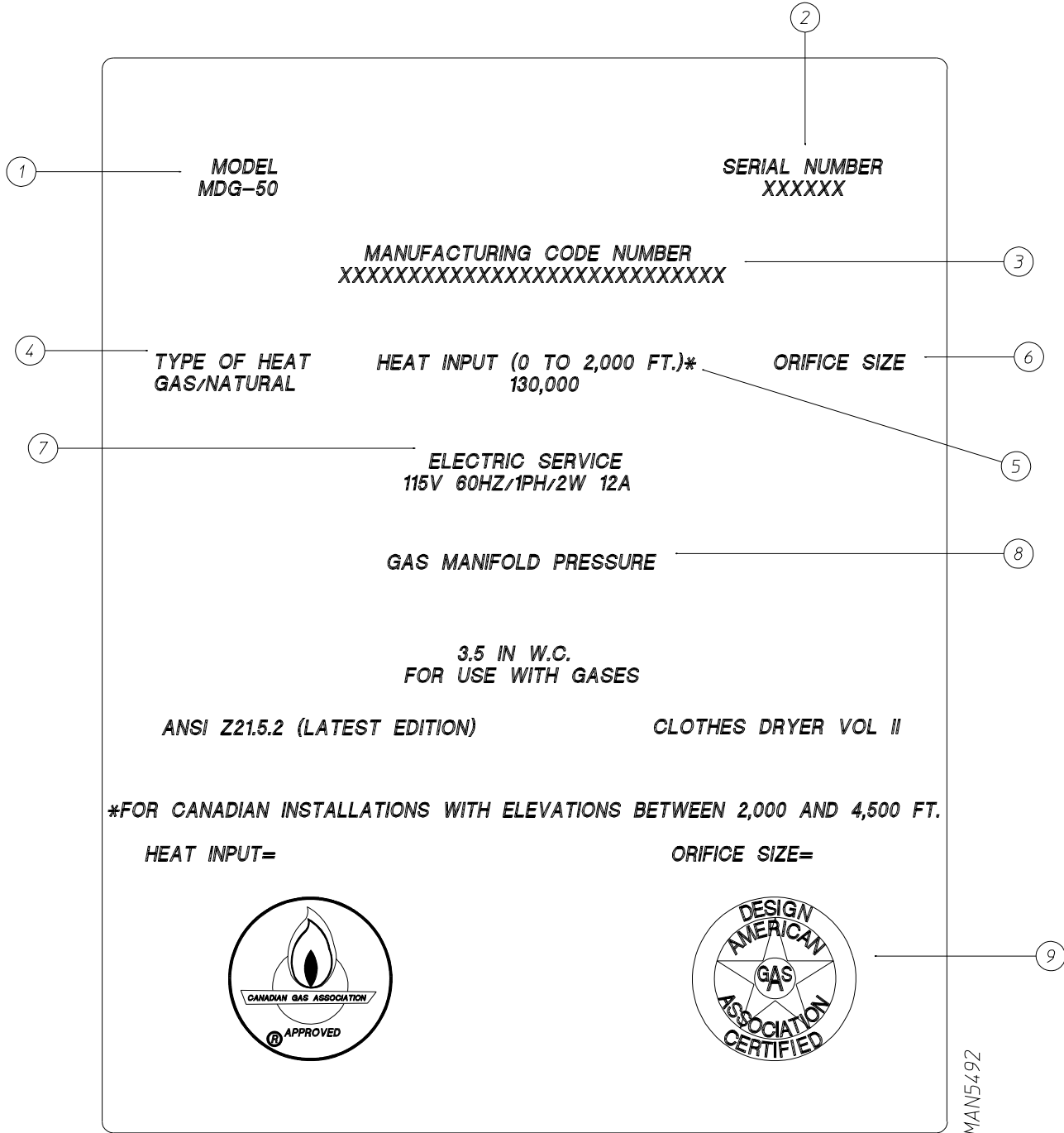
1. Blower (impellor and fan) motor failure.
2. Blower (impellor and fan) motor rotation direction is incorrect.
3. Insufficient makeup air.
4. Restriction in location exhaust system
 - a. Undersized exhaust ducting.
5. Lint screen needs cleaning.
6. Failed hi-limit thermostat.

SECTION VIII

TECHNICAL INFORMATION

A. DATA LABEL

Contact **Maytag Company**



TCOSTA 10/30/00

When contacting **Maytag Company** certain information is required to insure proper service or parts information from manufacturer. This information is on the data label located on the inside of the control door. When contacting manufacturer please have the **model** and **serial numbers** available.

THE DATA LABEL

1. MODEL DRYER

The model number is an **Maytag Company** number which describes the size of the dryer and the type of heat.

2. SERIAL NUMBER

The serial number allows the manufacturer to gather information on your particular dryer.

3. MANUFACTURING CODE NUMBER

The manufacturing code number is a number issued by the manufacturer which describes ALL possible options on your particular model.

4. TYPE OF HEAT

The type of heat describes the type heat for your particular dryer; gas (either natural gas or liquid propane [L.P.]).

5. HEAT INPUT

This describes the heat input in British Thermal Units per Hour (BTUH).

6. ORIFICE SIZE

Gives the number drill size used.

7. ELECTRIC SERVICE

This describes the electric service for your particular model.

8. GAS MANIFOLD PRESSURE

This describes the manifold pressure taken at the gas valve tap.

9. APPLICABLE APPROVAL SEALS

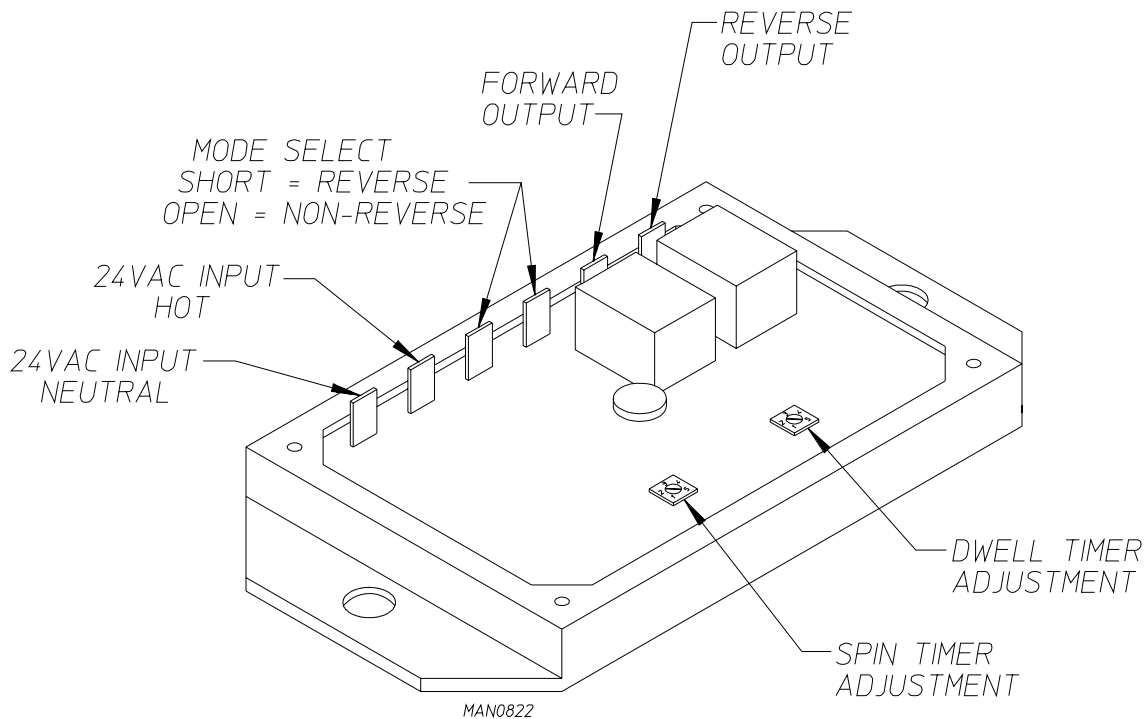
I.E., American Gas Association or Canadian Gas Association.

SECTION IX

REVERSING TIMER SPIN/DWELL ADJUSTMENTS

Dual timer models with "reversing option" have an electric reversing timer in the electric service box which is located in the upper rear area of the dryer.

Both the dwell (stop) time and basket (tumbler) spin time are adjustable by mode selection switches located on the electronic timer (as noted in the illustration below).



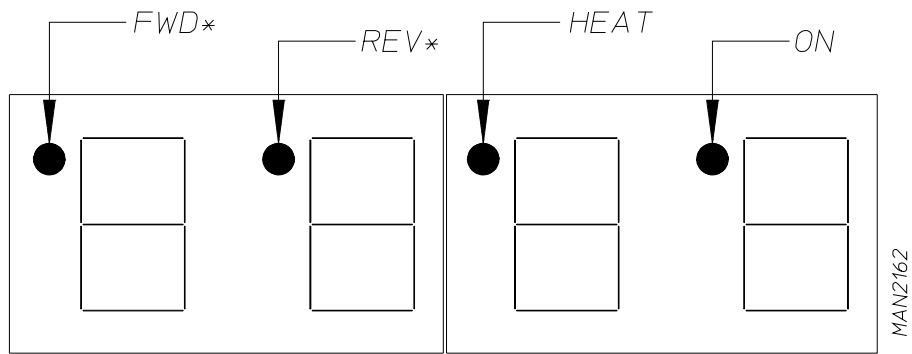
TIMING LEGEND					
SPIN TIME					
Adjustment Position Number	1	2	3	4	5
Time in Seconds*	30	60	90	120	150
DWELL (STOP) TIME					
Adjustment Position Number	1	2	3	4	5
Time in Seconds*	5	6.3	7.6	8.9	10.2
* Values shown are +/- 1-second.					

SECTION X

PROCEDURE FOR FUNCTIONAL CHECK OF REPLACEMENT COMPONENTS

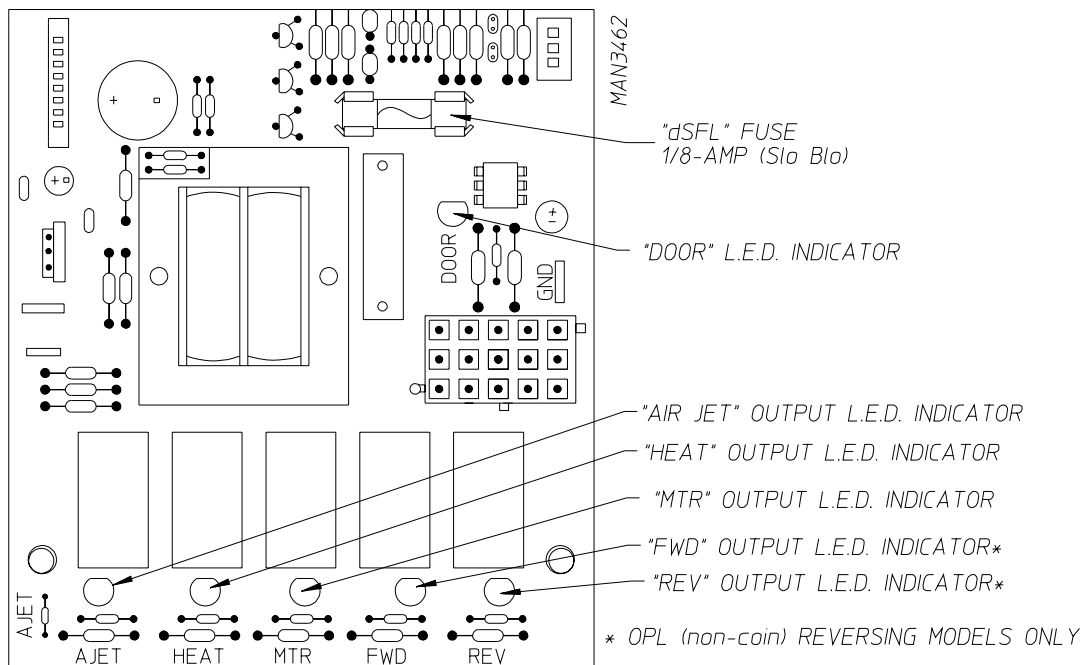
1. Microprocessor (computer) Board

- a. Upon completing installation of the replacement microprocessor (computer) board, reestablish power to the dryer.
- b. Start the drying cycle.
- c. Verify that the motors and the heat indicator dots, in the microprocessor (computer) L.E.D. (light emitting diode) display are on. (Refer to the illustration below.)



*OPL (NON-COIN) REVERSING MODELS ONLY.

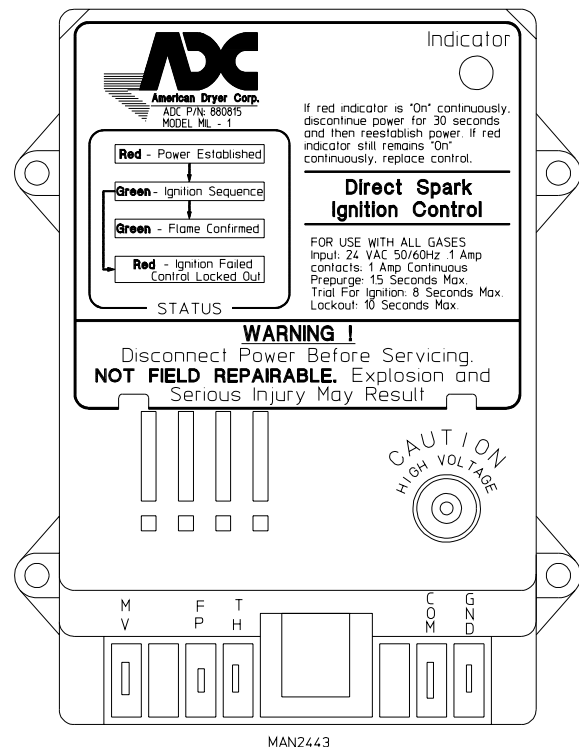
- d. Verify that motors heat, and door indicator lights on the back side of the microprocessor (computer board) are lit. (Refer to illustration below.)



- e. Open main door. The dryer **must stop** and **ALL** output indicator lights on the back side of the microprocessor (computer) board **must go out**. (Refer to **illustration** on previous page [[page 57](#)].)
- f. Try to restart the dryer with the main door open.
- g. The microprocessor (computer) board's L.E.D. display **must read "DOOR."**
- h. Close the main door and restart the dryer.
- i. Functional check of microprocessor (computer) board is complete.

2. Direct Spark Ignition (DSI) System

- a. Upon completing installation of the replacement Direct Spark Ignition (DSI) module, reestablish power to the dryer.
- b. Start the drying cycle.
- c. The ignition DSI (Direct Spark Ignition) module's L.E.D. (light emitting diode) indicator will light "red" for up to approximately 1.5 seconds (pre-purge time).
- d. The module's indicator light will then turn "green." The gas valve will be energized and the ignitor probe will spark for approximately 8 seconds. The burner flame **should now be** established.
- e. With the burner flame on, remove the flame sensor wire from the FS terminal of the DSI (Direct Spark Ignition) module.
- f. The burner flame **must shut off** and the ignition module **must lock out** with the DSI (Direct Spark Ignition) module's indicator light "red".



- g. Stop the drying cycle, with the flame sensor wire still removed, restart the drying cycle.
- h. The ignition module must proceed through the pre-purge, with the indicator light "red", the ignition trial time of approximately 8 seconds, with the indicator light "green", and then proceed to lock out
- i. Functional check of the Direct Spark Ignition (DSI) Module is complete.
 - 1) Replace the flame sensor wire from the FS terminal to the DSI module.

Part No. 113067 1- 01/12/99-150 2- 03/26/99-150 3- 12/15/99-150
4- 01/19/00-150 5- 03/03/00-150 6* 10/30/00-150

